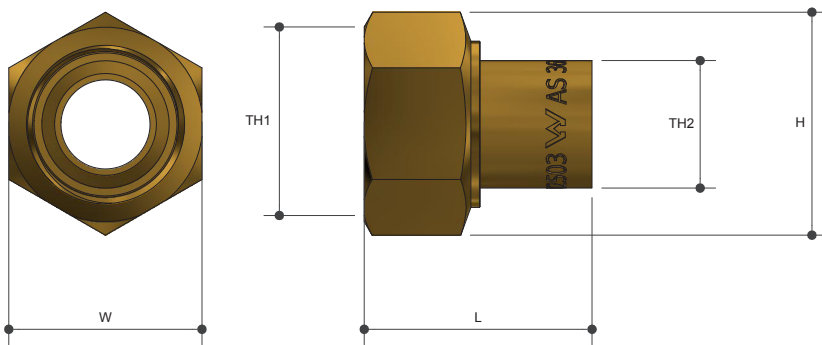


BRASS CAPILLARY

Connection Straight Tap No. 62 Lead Free

Product Specifications



Specifications

Working Temperature 1°C - 99°C

Maximum Pressure 1600kPa

Sizing Chart (MM)

	L	H	W	TH1	TH2
AW420LF	30	29	25	G 1/2"	15OD
AW421LF	45	35	31	G 3/4"	20OD

Features

Watermark Lead Free Approved

Tested and Certified to AS 3688



Material Chart

Part	Material
Adaptor	DR Lead Free Brass
Nut	Brass

For more information on Metforge, contact:
Austworld 15 Activity Crescent, Molendinar, Queensland 4214 Australia
P. 1300 780 430 F. 1300 780 441 E. info@austworld.com.au

Austworld Pty Ltd. All rights reserved 2018. Austworld and Metforge are registered trade mark belonging to Austworld Pty Ltd.

