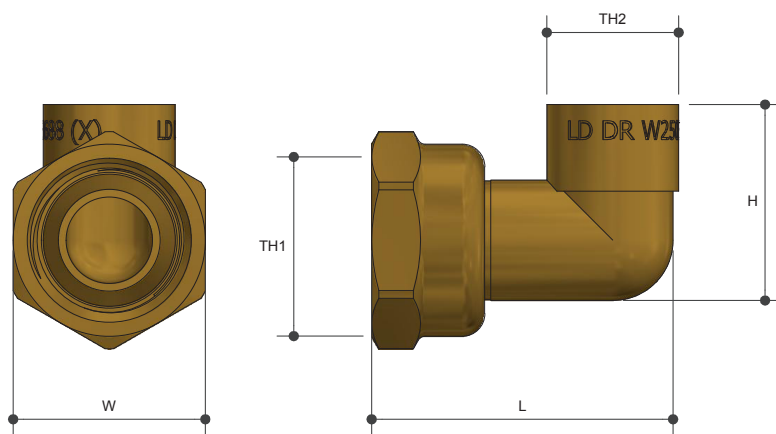


# BRASS CAPILLARY

Connector Bent Tap No. 63 Lead Free

Product Specifications



## Specifications

Working Temperature 1°C - 99°C

Maximum Pressure 1600kPa

## Features

Watermark Lead Free Approved

Tested and Certified to AS 3688

## Sizing Chart (MM)

	L	H	W	TH1	TH2
AW426LF	40	18	26	G 1/2"	DN15
AW427LF	52	28	32	G 3/4"	DN20

## Material Chart

Part	Material
Elbow	DR Lead Free Brass
Nut	Brass

For more information on Metforge, contact:  
Austworld 15 Activity Crescent, Molendinar, Queensland 4214 Australia  
P. 1300 780 430 F. 1300 780 441 E. info@austworld.com.au

Austworld Pty Ltd. All rights reserved 2018. Austworld and Metforge are registered trade mark belonging to Austworld Pty Ltd.

