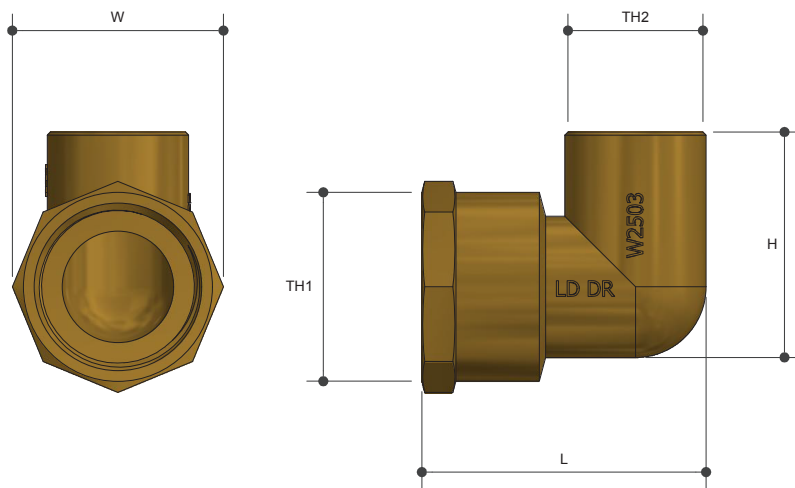


BRASS CAPILLARY

Elbow FI X Cap No. 14 Lead Free

Product Specifications



Specifications

Working Temperature 1°C - 99°C

Maximum Pressure 1600kPa

Features

Watermark Lead Free Approved

Tested and Certified to AS 3688

Sizing Chart (MM)

	L	H	W	TH1	TH2
AW383LF	34	30	26	Rp 1/2"	15OD
AW397LF	44	24	26	Rp 1/2"	20OD
AW385LF	46	25	32	Rp 3/4"	20OD
AW398LF	47	32	34	Rp 3/4"	25OD
AW399LF	54	33	42	Rp 1"	25OD

Material Chart

Part	Material
Elbow	DR Lead Free Brass

For more information on Metforge, contact:
 Austworld 15 Activity Crescent, Molendinar, Queensland 4214 Australia
 P. 1300 780 430 F. 1300 780 441 E. info@austworld.com.au

Austworld Pty Ltd. All rights reserved 2018. Austworld and Metforge are registered trade mark belonging to Austworld Pty Ltd.

