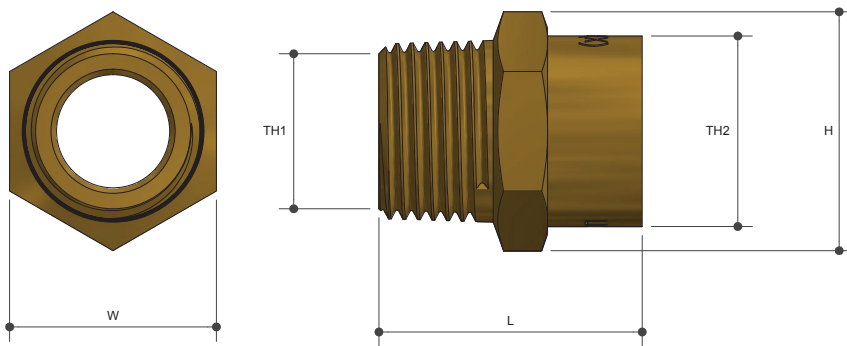


# BRASS CAPILLARY

MI Cap Connection No. 3 Lead Free

Product Specifications



## Specifications

Working temperature 1°C - 99°C

Maximum pressure 1600kPa

## Sizing Chart (MM)

	L	H	W	TH1	TH2
AW373LF	24	22	19	R 3/8"	15OD
AW376LF	24	24	22	R 1/2"	15OD
AW380LF	25	30	27	R 3/4"	15OD
AW381LF	23	27	24	R 1/2"	20OD
AW375LF	29	31	27	R 3/4"	20OD
AW375NBLF	29	31	27	R 3/4"	20OD
AW382LF	27	33	31	R 3/4"	25OD
AW377LF	28	37	34	R 1"	25OD

## Features

Watermark Lead Free Approved

Tested and certified to AS 3688



## Material Chart

Part	Material
Cap Connector	DR Lead Free Brass

For more information on Metforge, contact:  
 Austworld 15 Activity Crescent, Molendinar, Queensland 4214 Australia  
 P. 1300 780 430 F. 1300 780 441 E. info@austworld.com.au

Austworld Pty Ltd. All rights reserved 2018. Austworld and Metforge are registered trade mark belonging to Austworld Pty Ltd.

