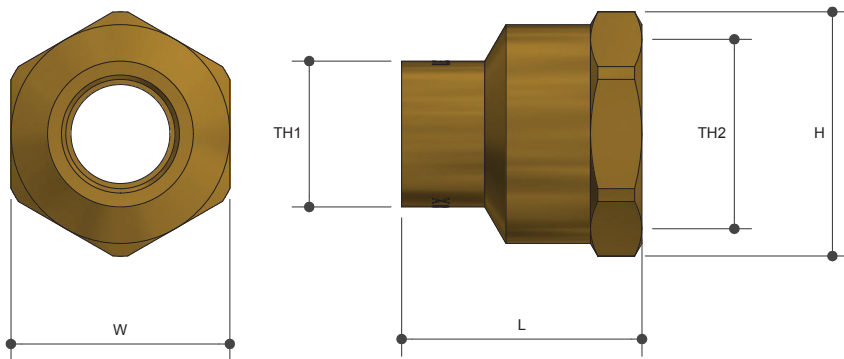


# BRASS CAPILLARY

Tube Bush MI No. 4F Lead Free

Product Specifications



## Specifications

Working temperature 1°C - 99°C

Maximum pressure 1600kPa

## Features

Watermark Lead Free Approved

Tested and certified to AS 3688



## Sizing Chart (MM)

	L	H	W	TH1	TH2
AW600LF	28	25	25	DN15	Rp 1/2"
AW601LF	28	35	31	DN20	Rp 3/4"
AW602LF	73	73	52	DN25	Rp 1"
AW603LF	38	50	47	DN32	Rp 1 1/4"
AW604LF	40	59	56	DN40	Rp 1 1/2"
AW605LF	44	70	66	DN50	Rp 2"
AW606LF	51	87	82	DN65	Rp 2 1/2"
AW607LF	53	102	95	DN80	Rp 3"
AW608LF	60	129	122	DN100	Rp 4"

## Material Chart

Part	Material
Tube Bush	DR Lead Free Brass

For more information on Metforge, contact:  
Austworld 15 Activity Crescent, Molendinar, Queensland 4214 Australia  
P. 1300 780 430 F. 1300 780 441 E. info@austworld.com.au

Austworld Pty Ltd. All rights reserved 2018. Austworld and Metforge are registered trade mark belonging to Austworld Pty Ltd.

