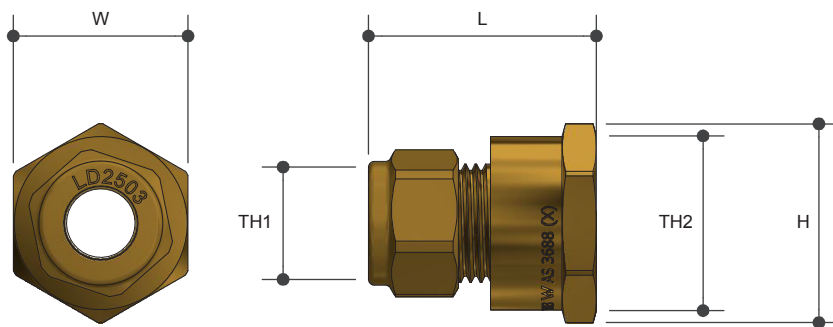


NYLON COMPRESSION

Union FI X C Reducing Lead Free

Product Specifications



Specifications

Maximum Working Temperature 1 °C to 95 °C

Maximum Pressure Rating 1600kPa

Features

Watermark Lead Free Approved

Brass and Chrome Finish

Tested and Certified to AS 3688

Sizing Chart (MM)

	L	H	W	TH1	TH2
AW1123LF	51	34	31	20C	R 1/2"
AW1129LF*	51	34	31	20C	R 1/2"
AW1122LF	40	35	31	15C	R 3/4"

* Chrome Plated

Material Chart

Part	Material
Body	DR Lead Free Brass
Compression Nut	Brass
Olive	Nylon

For more information on Metforge, contact:
 Austworld 15 Activity Crescent, Molendinar, Queensland 4214 Australia
 P. 1300 780 430 F. 1300 780 441 E. info@austworld.com.au

Austworld Pty Ltd. All rights reserved 2018. Austworld and Metforge are registered trade mark belonging to Austworld Pty Ltd.

