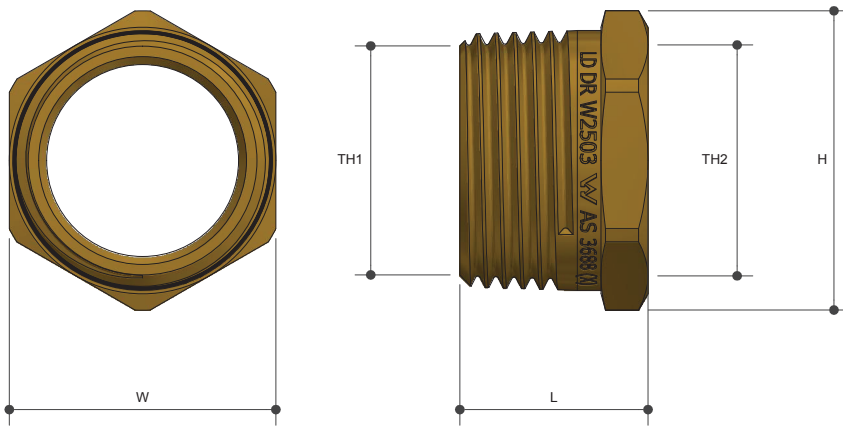


BRASS CAPILLARY

Tube Bush MI No. 4 Lead Free

Product Specifications



Specifications

Working temperature 1°C - 99°C

Maximum pressure 1600kPa

Features

Watermark Lead Free Approved

Tested and certified to AS 3688



Sizing Chart (MM)

	L	H	W	TH1	TH2
AW581LF	19	24	22	R 1/2"	15OD
AW586LF	22	30	27	R 3/4"	20OD
AW586NBLF	22	30	27	R 3/4"	20OD
AW590LF	24	38	34	R 1"	25OD
AW590NBLF	24	38	34	R 1"	25OD
AW592LF	27	45	42	R 1 1/4"	32OD
AW592NBLF	27	45	42	R 1 1/4"	32OD
AW593LF	30	52	48	R 1 1/2"	40OD
AW594LF	33	66	61	R 2"	50OD
AW595LF	36	81	76	R 2 1/2"	65OD
AW596LF	40	96	89	R 3"	80OD
AW597LF	50	123	115	R 4"	100OD

Material Chart

Part	Material
Tube Bush	DR Lead Free Brass

For more information on Metforge, contact:

Austworld 15 Activity Crescent, Molendinar, Queensland 4214 Australia

P. 1300 780 430

F. 1300 780 441

E. info@austworld.com.au

Austworld Pty Ltd. All rights reserved 2018. Austworld and Metforge are registered trade mark belonging to Austworld Pty Ltd.

