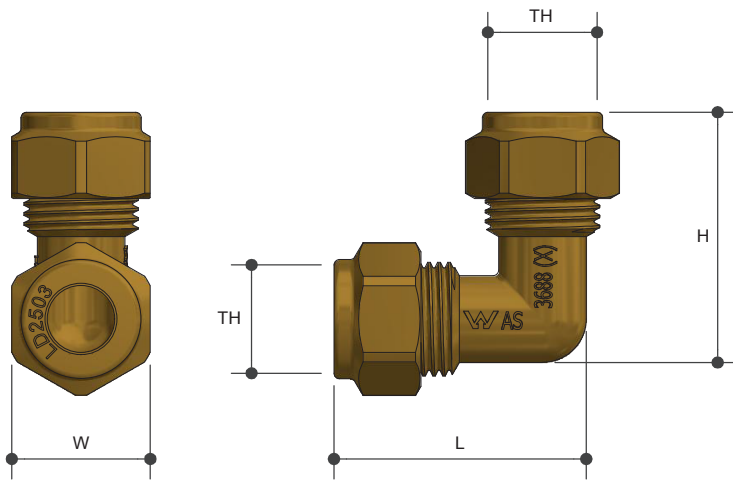


COPPER COMPRESSION

Elbow C X C Lead Free

Product Specifications



Specifications

Maximum Working Temperature 1°C to 95°C

Maximum Pressure Rating 1600kPa

Features

Watermark Lead Free Approved

Tested and Certified to AS 3688

Sizing Chart (MM)

	L	H	W	TH
AW2130LF	46	46	25	15C
AW2130NBLF	46	46	25	15C
AW2131LF	52	52	31	20C
AW2131NBLF	52	52	31	20C

Material Chart

Part	Material
Elbow	DR Lead Free Brass
Compression Nut	Brass
Olive	Copper

For more information on Metforge, contact:

Austworld 15 Activity Crescent, Molendinar, Queensland 4214 Australia

P. 1300 780 430

F. 1300 780 441

E. info@austworld.com.au

Austworld Pty Ltd. All rights reserved 2018. Austworld and Metforge are registered trade mark belonging to Austworld Pty Ltd.

