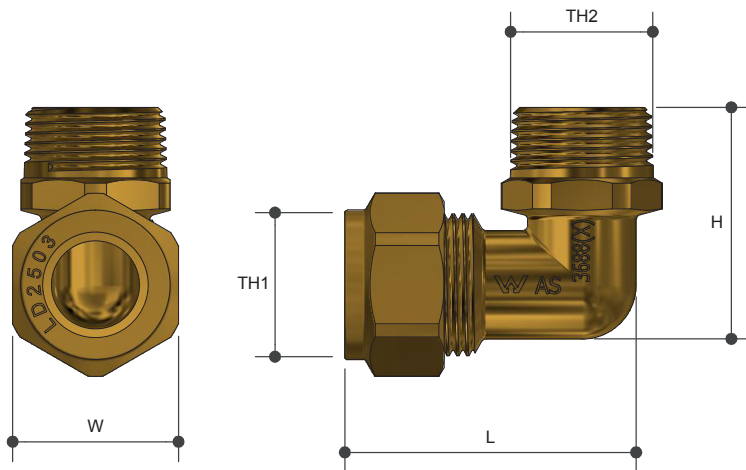


COPPER COMPRESSION

Elbow MI X C Lead Free

Product Specifications



Specifications

Maximum Working Temperature 1 °C to 95 °C

Maximum Pressure Rating 1600kPa

Features

Watermark Lead Free Approved

Tested and Certified to AS 3688

Sizing Chart (MM)

	L	H	W	TH1	TH2
AW2140LF	45	38	25	15C	R 1/2"
AW2140NBLF	45	38	25	15C	R 1/2"
AW2141LF	54	43	31	20C	R 3/4"
AW2141NBLF	54	43	31	20C	R 3/4"

Material Chart

Part	Material
Elbow	DR Lead Free Brass
Compression Nut	Brass
Olive	Copper

For more information on Metforge, contact:
Austworld 15 Activity Crescent, Molendinar, Queensland 4214 Australia
P. 1300 780 430 F. 1300 780 441 E. info@austworld.com.au

Austworld Pty Ltd. All rights reserved 2018. Austworld and Metforge are registered trade mark belonging to Austworld Pty Ltd.

