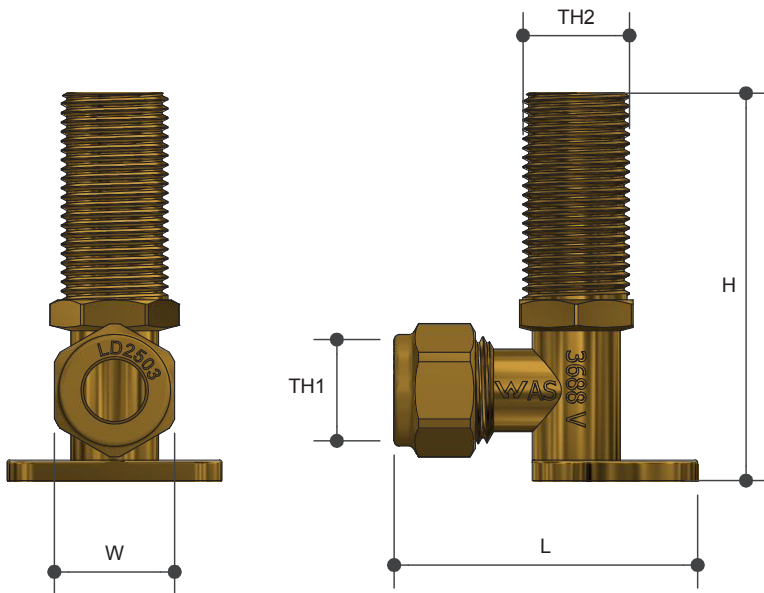


# COPPER COMPRESSION

## Elbow MI X C Extended Lugged Lead Free

Product Specifications



### Specifications

Maximum Working Temperature 1°C to 95°C

Maximum Pressure Rating 1600kPa

### Features

Watermark Lead Free Approved

Tested and Certified to AS 3688

### Sizing Chart (MM)

	L	H	W	TH1	TH2
AW2170LF	59	75	23	15C	G 1/2"

### Material Chart

Part	Material
Elbow	DR Lead Free Brass
Compression Nut	Brass
Olive	Copper

For more information on Metforge, contact:  
 Austworld 15 Activity Crescent, Molendinar, Queensland 4214 Australia  
 P. 1300 780 430 F. 1300 780 441 E. info@austworld.com.au

Austworld Pty Ltd. All rights reserved 2018. Austworld and Metforge are registered trade mark belonging to Austworld Pty Ltd.

