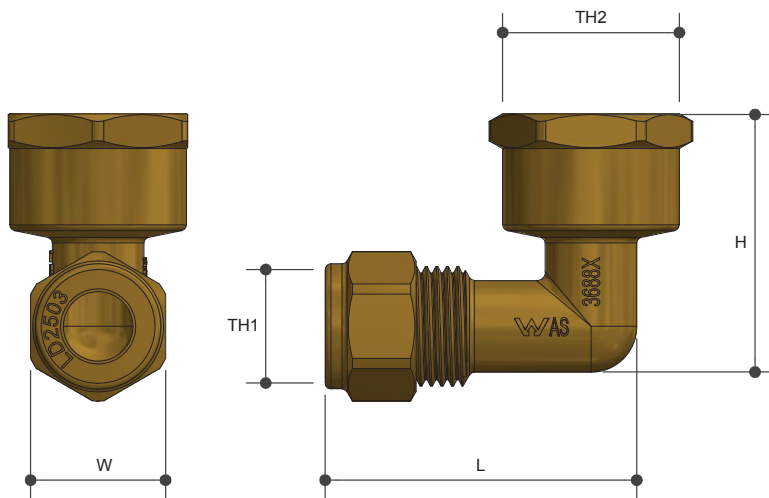


# COPPER COMPRESSION

Elbow FI X C Reducing Lead Free

Product Specifications



## Specifications

Maximum Working Temperature 1°C to 95°C

Maximum Pressure Rating 1600kPa

## Sizing Chart (MM)

	L	H	W	TH1	TH2
AW2152LF	54	45	23	15C	Rp 3/4"
AW2152NBLF	54	45	23	15C	Rp 3/4"

## Features

Watermark Lead Free Approved

Tested and Certified to AS 3688

## Material Chart

Part	Material
Elbow	DR Lead Free Brass
Compression Nut	Brass
Olive	Copper

For more information on Metforge, contact:  
Austworld 15 Activity Crescent, Molendinar, Queensland 4214 Australia  
P. 1300 780 430 F. 1300 780 441 E. info@austworld.com.au

Austworld Pty Ltd. All rights reserved 2018. Austworld and Metforge are registered trade mark belonging to Austworld Pty Ltd.

