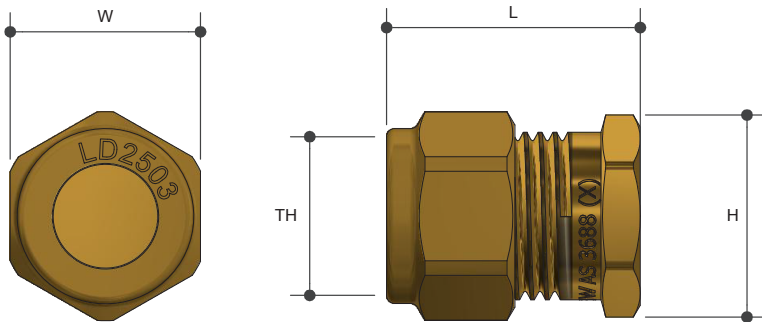


# COPPER COMPRESSION

Stop End Lead Free

Product Specifications



## Specifications

Maximum Working Temperature 1°C to 95°C

Maximum Pressure Rating 1600kPa

## Features

Watermark Lead Free Approved

Tested and Certified to AS 3688

## Sizing Chart (MM)

	L	H	W	TH
AW2200LF	31	25	23	15
AW2201LF	25	25	31	20
AW2201NBLF	25	25	31	20

## Material Chart

Part	Material
End Cap	DR Lead Free Brass
Compression Nut	Brass
Olive	Copper

For more information on Metforge, contact:

Austworld 15 Activity Crescent, Molendinar, Queensland 4214 Australia

P. 1300 780 430 F. 1300 780 441 E. info@austworld.com.au

Austworld Pty Ltd. All rights reserved 2018. Austworld and Metforge are registered trade mark belonging to Austworld Pty Ltd.

