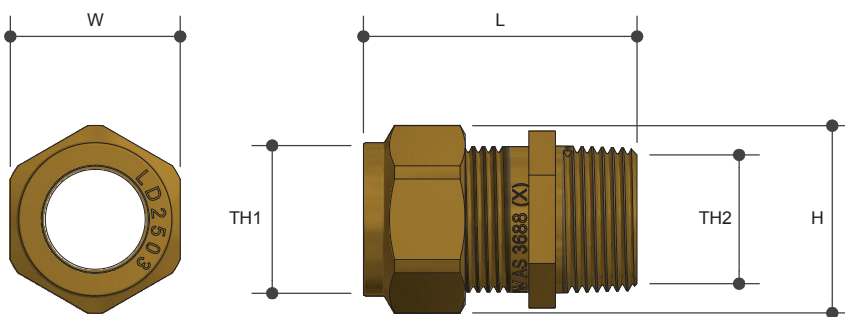


# NYLON COMPRESSION

Union MI X C Lead Free

Product Specifications



## Specifications

Maximum Working Temperature 1°C to 95°C

Maximum Pressure Rating 1600kPa

## Features

Watermark Lead Free Approved

Brass and Chrome Finish

Tested and Certified to AS 3688

## Sizing Chart (MM)

	L	H	W	TH1	TH2
AW1110LF	40	26	23	15C	R 1/2"
AW1116LF*	40	26	23	15C	R 1/2"
AW1117LF*	49	34	31	20C	R 3/4"
AW1111LF	49	34	31	20C	R 3/4"
AW3111LF	55	41	37	25C	R 1"

\* Chrome Plated

## Material Chart

Part	Material
Nipple	DR Lead Free Brass
Compression Nut	Brass
Olive	Nylon

For more information on Metforge, contact:  
 Austworld 15 Activity Crescent, Molendinar, Queensland 4214 Australia  
 P. 1300 780 430 F. 1300 780 441 E. info@austworld.com.au

Austworld Pty Ltd. All rights reserved 2018. Austworld and Metforge are registered trade mark belonging to Austworld Pty Ltd.

