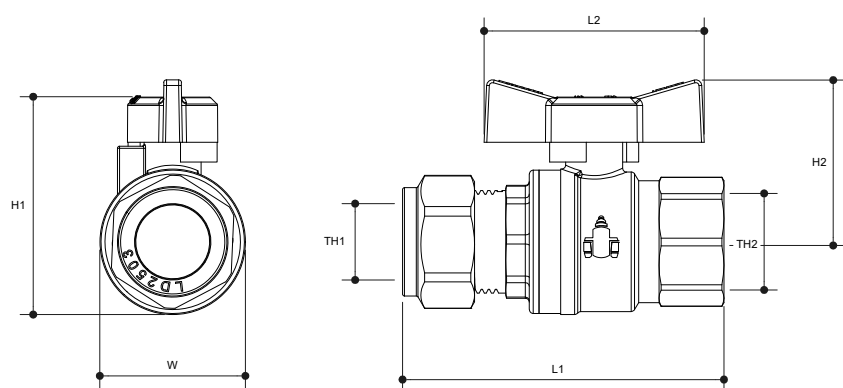


WATERMARKED BALL VALVE

Butterfly Handle MI x NC 20MM Brass Lead Free

Product Specifications



Specifications

Working temperature 1°C to 90°C

Maximum pressure rating 2500kPa

Sizing Chart (MM)

	L1	L2	H1	H2	W	TH1	TH2
BWB20MNCLF	82	56	55	42	37	20C	Rp 3/4"

Features

Watermark approved

Full bore

100% pressure tested

Blow proof spindle

Tested and certified to WMTS-012

Material Chart

Part	Material
Body	DR Lead Free Brass
Cap	DR Lead Free Brass
Seal	PTFE
Ball	Stainless Steel
Spindle	Stainless Steel
Handle	Aluminium
Bonnet	DR Lead Free Brass
O-Ring	FKM
Olive	Nylon
Nut	Brass

For more information on Logi Valve, contact:
Austworld 15 Activity Crescent, Molendinar, Queensland 4214 Australia

P. 1300 780 430 F. 1300 780 441 E. info@austworld.com.au

Austworld Pty Ltd. All rights reserved 2018. Austworld and Logi Valve are registered trade mark belonging to Austworld Pty Ltd.

Revision no. 1.1 | 11/03/2024

