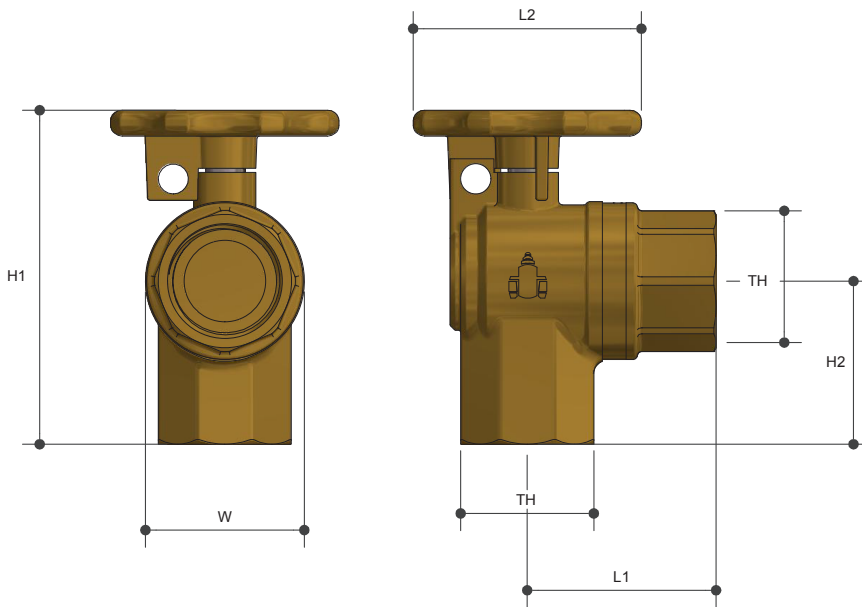


# WATER SERVICE BALL VALVES

Right Angle FI X FI Lockable Wheel Handle

Product Specifications



## Features

Watermark approved

DR Brass

100% pressure tested

316 stainless steel ball and spindle

Lockable ON and OFF

Tested and certified to AS 4796

## Specifications

Working temperature 1°C to 90°C

Max. pressure rating 2500kPa

## Sizing Chart (MM)

	L1	L2	H1	H2	W	TH
WRA20FWA	44	53	78	38	37	Rp 3/4"
WRA25FWA	58	53	94	50	46	Rp 1"

## Material Chart

Part	Material
Body	DR Brass
Handle	DR Brass
Ball	Stainless Steel
Seal	PTFE
O Ring	FKM
Screw M4 x 8	Stainless Steel 304
Spindle	Stainless Steel

For more information on Logi Civil, contact:  
Austworld 15 Activity Crescent, Molendinar, Queensland 4214 Australia  
P. 1300 780 430 F. 1300 780 441 E. info@austworld.com.au

Austworld Pty Ltd. All rights reserved 2018.  
Austworld and Logi Civil are registered trade mark belonging to Austworld Pty Ltd.

