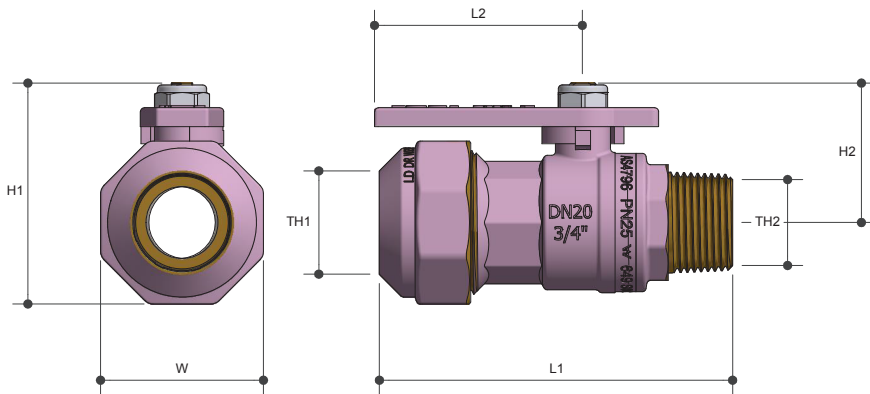


WATER SERVICE BALL VALVES

Poly Connection DN X MI Lilac

Product Specifications



Specifications

Working temperature -20°C to 60°C

Max. pressure rating 1600kPa

Sizing Chart (MM)

	L1	L2	H1	H2	W	TH1	TH2
WPE2025MRW	92	55	58	37	43	DN25	R 3/4"
WPE2532MRW	107	55	66	41	50	DN32	R 1"

Material Chart

Part	Material
Seal	PTFE
Nut	Stainless Steel
Body	DR Brass
Handle	DR Brass
Ball	Stainless Steel
Cap	DR Brass
O Ring	FKM
Spindle	DR Brass

For more information on Logi Civil, contact:
Austworld 15 Activity Crescent, Molendinar, Queensland 4214 Australia
P. 1300 780 430 F. 1300 780 441 E. info@austworld.com.au

Austworld Pty Ltd. All rights reserved 2018.
Austworld and Logi Civil are registered trade mark belonging to Austworld Pty Ltd.

Features



Watermark approved

DR Brass

Full Bore

100% pressure tested

No disassembly required, pipe can be inserted without disassembling the fitting

Triple lip seal

No fiddly thimbles or grab rings

Spare parts available

Tested and certified to AS 4796

