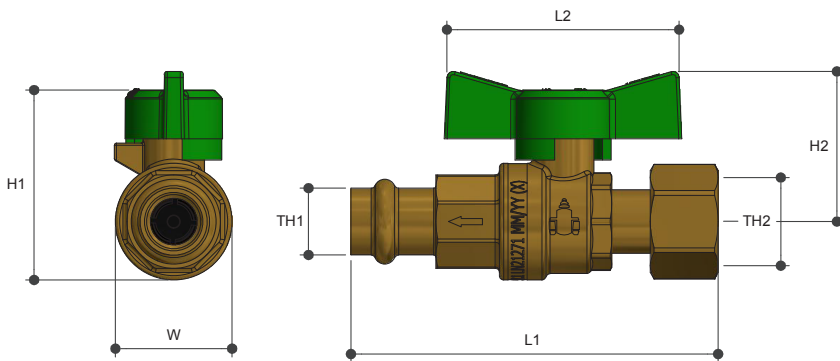


ISOLATION / NON RETURN VALVE

Butterfly Handle Press Fit
with Check Valve, Swivel x FI

Product Specifications



Specifications

Working temperature 1 °C to 90 °C

Maximum pressure rating 1400 KPa

Sizing Chart (MM)

	L1	L2	H1	H2	W	TH1	TH2
WDF15SPF	87	56	45	35	27	DN15	G 1/2"

Features



Watermark approved

100% pressure tested

Integral non return and isolation function

Suitable for horizontal and vertical installation

Material Chart

Part	Material
Body	DR Brass
Seal	PTFE
Ball	DR Brass
Bonnet	DR Brass
Spindle	DR Brass
O Ring	FKM
Handle	Aluminium
Lock Nut	Stainless Steel
Washer	Stainless Steel

For more information on Logi Valve, contact:
Austworld 15 Activity Crescent, Molendinar, Queensland 4214 Australia
P. 1300 780 430 F. 1300 780 441 E. info@austworld.com.au

Austworld Pty Ltd. All rights reserved 2018. Austworld and Logi Valve are registered trade mark belonging to Austworld Pty Ltd.

