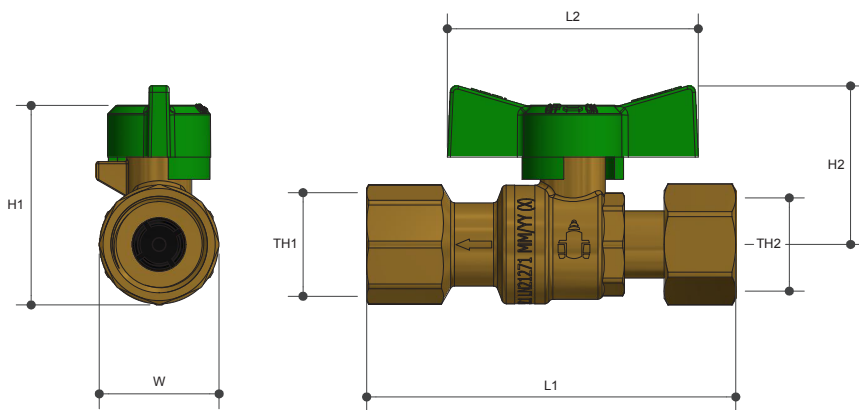


# ISOLATION / NON RETURN VALVE

Butterfly Handle with Check Valve Swivel Fl x Fl

## Product Specifications



## Specifications

Working temperature 1 °C to 90 °C

Maximum pressure rating 1400 KPa

## Sizing Chart (MM)

	L1	L2	H1	H2	W	TH1	TH2
WDF15S	82	56	45	35	27	Rp 1/2"	G 1/2"

## Features



Watermark approved

100% pressure tested

Integral non return and isolation function

Suitable for horizontal and vertical installation

## Material Chart

Part	Material
Body	DR Brass
Seal	PTFE
Ball	DR Brass
Bonnet	DR Brass
Spindle	DR Brass
O Ring	FKM
Handle	Aluminium
Lock Nut	Stainless Steel
Washer	Stainless Steel

For more information on Logi Valve, contact:  
Austworld 15 Activity Crescent, Molendinar, Queensland 4214 Australia  
P. 1300 780 430 F. 1300 780 441 E. info@austworld.com.au

Austworld Pty Ltd. All rights reserved 2018. Austworld and Logi Valve are registered trade mark belonging to Austworld Pty Ltd.

