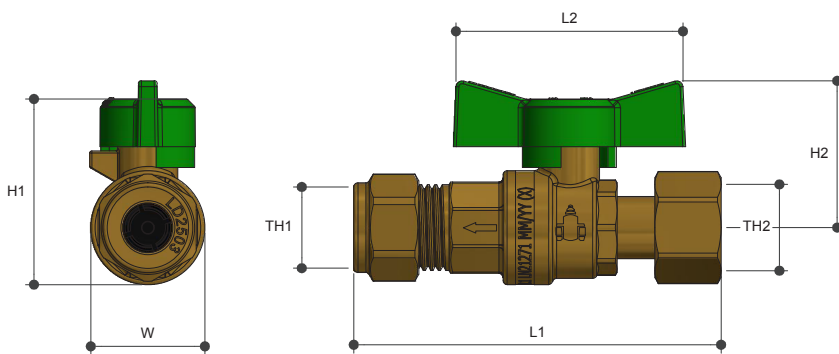


# ISOLATION / NON RETURN VALVE

Butterfly Handle Copper Compression  
with Check Valve, Swivel x FI

## Product Specifications



## Specifications

Working temperature 1 °C to 90 °C

Maximum pressure rating 1400 KPa

## Sizing Chart (MM)

|         | L1 | L2 | H1 | H2 | W  | TH1  | TH2    |
|---------|----|----|----|----|----|------|--------|
| WDF15SC | 88 | 56 | 45 | 35 | 27 | DN15 | G 1/2" |

## Features



Watermark approved

100% pressure tested

Integral non return and isolation function

Suitable for horizontal and vertical installation

## Material Chart

| Part     | Material        |
|----------|-----------------|
| Body     | DR Brass        |
| Seal     | PTFE            |
| Ball     | DR Brass        |
| Bonnet   | DR Brass        |
| Spindle  | DR Brass        |
| O Ring   | FKM             |
| Handle   | Aluminium       |
| Lock Nut | Stainless Steel |
| Washer   | Stainless Steel |

For more information on Logi Valve, contact:  
Austworld 15 Activity Crescent, Molendinar, Queensland 4214 Australia  
P. 1300 780 430 F. 1300 780 441 E. info@austworld.com.au

Austworld Pty Ltd. All rights reserved 2018. Austworld and Logi Valve are registered trade mark belonging to Austworld Pty Ltd.

