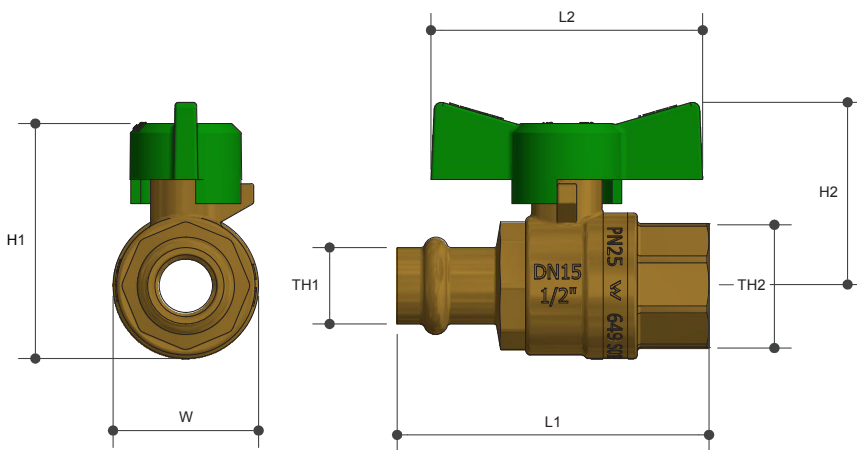


WATERMARKED BALL VALVE

Pressfit CU X FI Butterfly Handle

Product Specifications



Specifications

Working temperature -20°C to 150°C

Maximum pressure rating 2500kPa

Sizing Chart (MM)

	L1	L2	H1	H2	W	TH1	TH2
WBWP15F	64	56	48	38	30	DN15	Rp 1/2"
WBWP20F	73	56	55	41	37	DN20	Rp 3/4"
WBWP25F	89	56	64	45	46	DN25	Rp 1"

Features

Watermark approved

Full bore

100% pressure tested

Available in sizes 15mm (1/2") to 25mm (1")

Blow proof spindle

For use with Viega, Rothenberger, Novopress, Kempress, Rems & V-Profile Tools only

Tested and certified to WMTS012

Material Chart

Part	Material
Body	DR Brass
Seal Seat	PTFE
Ball	DR Brass
Bonnet	DR Brass
Spindle	DR Brass
O Ring	FKM
Lock Nut	Stainless Steel
Handle	Aluminium

For more information on Logi Valve, contact:
Austworld 15 Activity Crescent, Molendinar, Queensland 4214 Australia

P. 1300 780 430 F. 1300 780 441 E. info@austworld.com.au

Austworld Pty Ltd. All rights reserved 2018. Austworld and Logi Valve are registered trade mark belonging to Austworld Pty Ltd.

