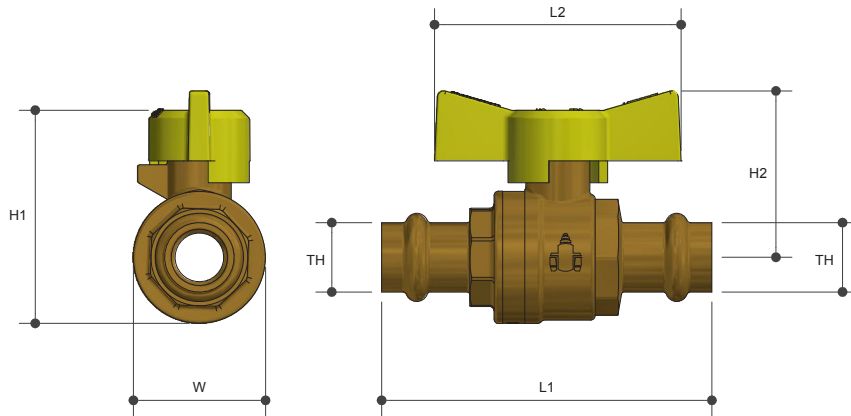


GAS APPROVED BALL VALVE

Pressfit CU X CU Butterfly Handle

Product Specifications



Features

AGA approved

Full bore

100% pressure tested

Available in sizes 15mm (1/2") to 25mm (1")

Blow proof spindle

Aluminium handle

For use with Viega, Rothenberger, Kempress, Rems & V-Profile Tools only

Tested and certified to AS 4617

Specifications

Working temperature 1°C to 120°C

Maximum pressure rating 2100kPa

Sizing Chart (MM)

	L1	L2	H1	H2	W	TH
WBG15	75	56	48	44	30	DN15
WBG20	87	56	55	48	37	DN20
WBG25	101	56	64	52	46	DN20

Material Chart

Part	Material
Body	Brass
Seal Seat	PTFE
Ball	Brass
Bonnet	Brass
Spindle	Brass
O Ring	HNBR
Cap	Brass
Handle	Aluminium
Lock Nut	Stainless Steel

For more information on Logi Valve, contact:
 Austworld 15 Activity Crescent, Molendinar, Queensland 4214 Australia
 P. 1300 780 430 F. 1300 780 441 E. info@austworld.com.au

Austworld Pty Ltd. All rights reserved 2018. Austworld and Logi Valve are registered trade mark belonging to Austworld Pty Ltd.

