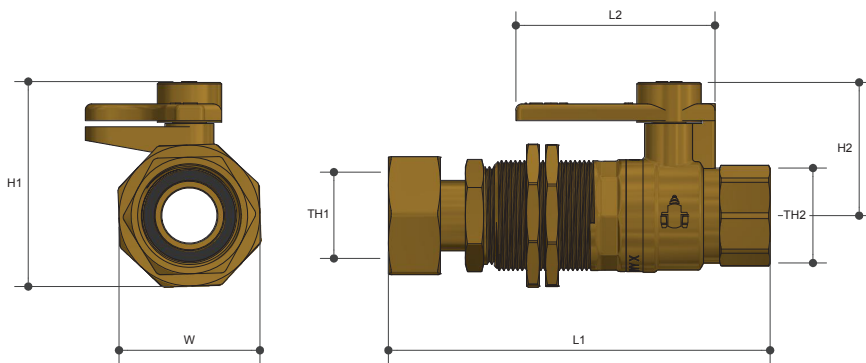


SUB METERING

Ball Valve Telescopic Lockable

Product Specifications



Specifications

Working temperature 1°C to 90°C

Max. pressure rating 1600kPa

Meter thread

Sizing Chart (MM)

	L1	L2	H1	H2	W	TH1	TH2
WB20FBLT	125	65	67	43	46	DN20*	Rp 3/4"

* Meter thread QLD/VIC AS1722.2

Features

Watermark approved

Maximum valve adjustment

100% pressure tested

Locking nut on coupling

Material Chart

Part	Material
Body	DR Brass
Captive Nut	DR Brass
Adaptor	DR Brass
Handle	Brass
Ball	Stainless Steel
O Ring	FKM
Washer	EPDM
Spring	Stainless Steel

For more information on Logi Civil, contact:
Austworld 15 Activity Crescent, Molendinar, Queensland 4214 Australia
P. 1300 780 430 F. 1300 780 441 E. info@austworld.com.au

Austworld Pty Ltd. All rights reserved 2018.
Austworld and Logi Civil are registered trade mark belonging to Austworld Pty Ltd.

