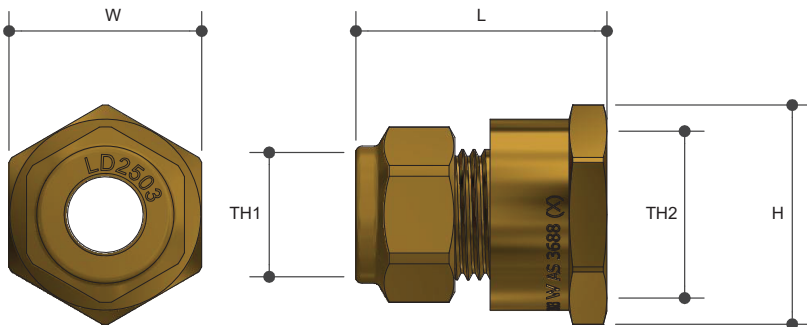


# COPPER COMPRESSION

Union FI X C Reducing Lead Free

Product Specifications



## Specifications

Maximum Working Temperature 1°C to 95°C

Maximum Pressure Rating 1600kPa

## Sizing Chart (MM)

	L	H	W	TH1	TH2
AW2122LF	40	35	31	15C	Rp 3/4"
AW2122NBLF	40	35	31	15C	Rp 3/4"

## Features

Watermark Lead Free Approved

Tested and Certified to AS 3688



## Material Chart

Part	Material
Nipple	DR Lead Free Brass
Compression Nut	Brass
Olive	Copper

For more information on Metforge, contact:

Austworld 15 Activity Crescent, Molendinar, Queensland 4214 Australia

P. 1300 780 430

F. 1300 780 441

E. [info@austworld.com.au](mailto:info@austworld.com.au)

Austworld Pty Ltd. All rights reserved 2018. Austworld and Metforge are registered trade mark belonging to Austworld Pty Ltd.

