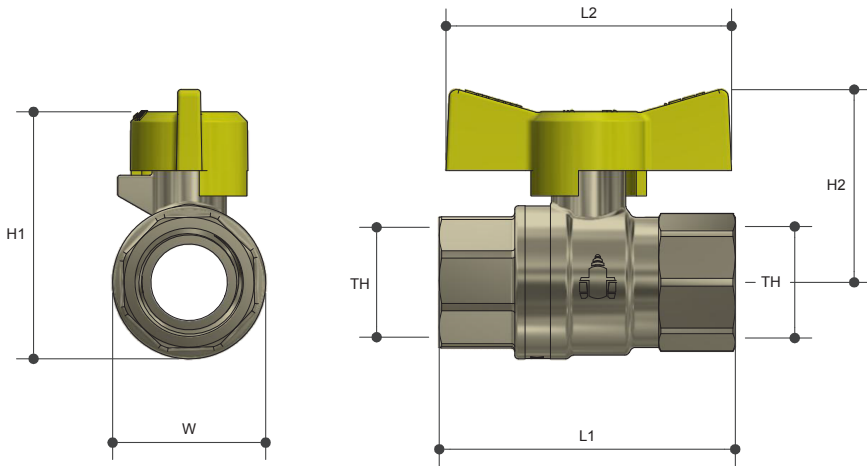


# GAS APPROVED BALL VALVE

Butterfly Handle FI X FI

Product Specifications



## Specifications

Working temperature 1 °C to 120 °C

Maximum pressure rating 2100 kPa

## Sizing Chart (MM)

	L1	L2	H1	H2	W	TH
WB15F	58	56	48	38	30	Rp 1/2"
WB20F	66	56	55	41	37	Rp 3/4"
WB25F	81	56	64	45	46	Rp 1"

## Features

AGA approved

Full bore

100% pressure tested

Available in sizes 15mm (1/2") to 25mm (1")

Blow proof spindle

Aluminium handle

Tested and certified to AS 4617

## Material Chart

Part	Material
Body	DR Brass
Seal	PTFE
Ball	DR Brass
Bonnet	DR Brass
Spindle	DR Brass
O Ring	HNBR
Handle	Aluminium
Lock Nut	Stainless Steel

For more information on Logi Valve, contact:  
Austworld 15 Activity Crescent, Molendinar, Queensland 4214 Australia

P. 1300 780 430 F. 1300 780 441 E. info@austworld.com.au

Austworld Pty Ltd. All rights reserved 2018. Austworld and Logi Valve are registered trade mark belonging to Austworld Pty Ltd.

Revision no. 1.0 | 24/05/2021

