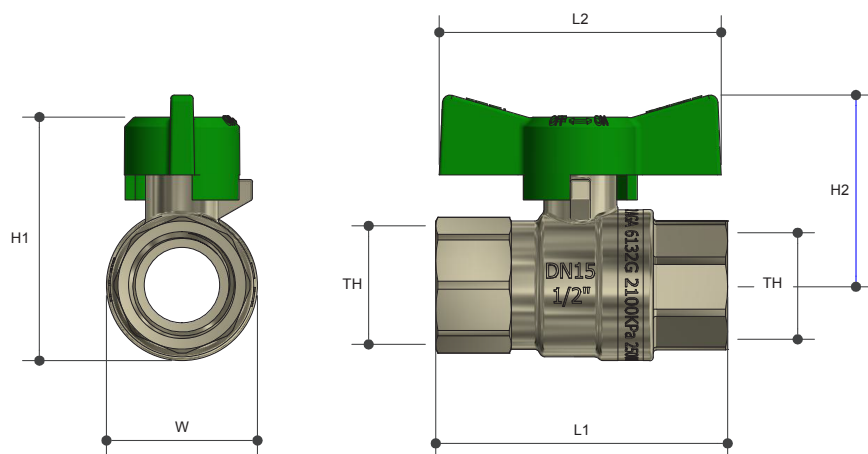


WATERMARKED BALL VALVE

Butterfly Handle FI X FI

Product Specifications



Specifications

Working temperature 1°C to 95°C

Maximum pressure rating Water 2500kPa Gas 2100kPa

Sizing Chart (MM)

	L1	L2	H1	H1	W	TH
WB15FG	58	56	48	38	30	Rp 1/2"
WB20FG	66	56	55	41	37	Rp 3/4"
WB25FG	81	56	64	45	46	Rp 1"

Features

Watermark and AGA approved

Full bore

100% pressure tested

Available in sizes 15mm (1/2") to 25mm (1")

Blow proof spindle

Tested and certified to WMTS012

Material Chart

Part	Material
Body	DR Brass
Bonnet	DR Brass
Spindle	DR Brass
Ball	DR Brass
Gland Nut	PTFE
Seal	PTFE
Handle	Aluminium
Lock Nut	Stainless Steel

For more information on Logi Valve, contact:
 Austworld 15 Activity Crescent, Molendinar, Queensland 4214 Australia
 P. 1300 780 430 F. 1300 780 441 E. info@austworld.com.au

Austworld Pty Ltd. All rights reserved 2018. Austworld and Logi Valve are registered trade mark belonging to Austworld Pty Ltd.

