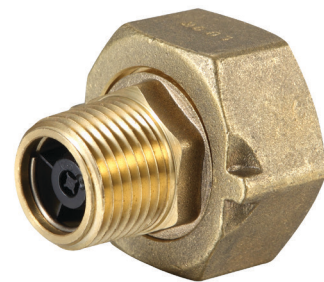
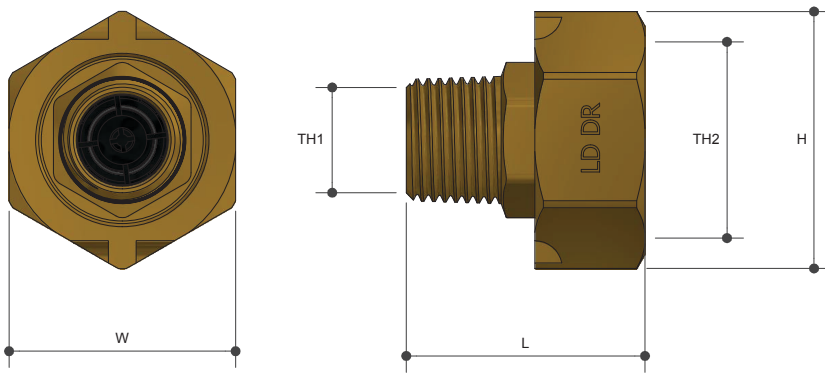


COUPLINGS

With Check Valve Lead Free

Product Specifications



Specifications

Working Temperature 1°C - 95°C

Maximum Pressure Rating 1600kPa

Sizing Chart (MM)

	L	H	W	TH1	TH2
MC6LF	39	42	37	R 1/2"	G 1"

Features

Watermark Lead Free Approved

Tested and Certified to AS 3688

Includes Rubber and Fibre Seal



Material Chart

Part	Material
Adaptor	DR Lead Free Brass
Nut	DR Brass
Coupling Washer	EPDM / Fibre
Check Valve	Ticona

For more information on Metforge, contact:

Austworld 15 Activity Crescent, Molendinar, Queensland 4214 Australia

P. 1300 780 430

F. 1300 780 441

E. info@austworld.com.au

Austworld Pty Ltd. All rights reserved 2018. Austworld and Metforge are registered trade mark belonging to Austworld Pty Ltd.

