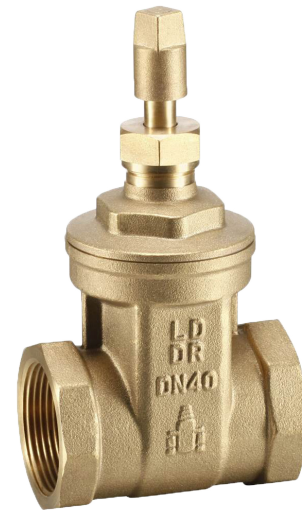
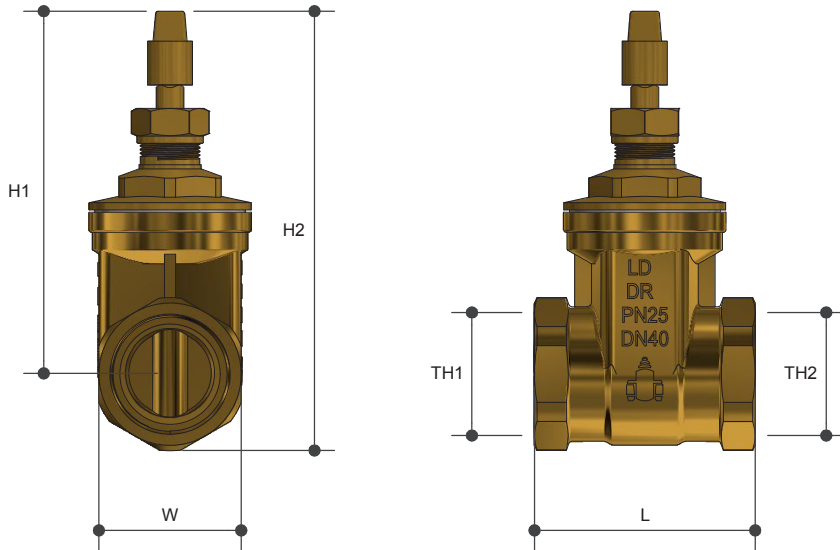


UNDERGROUND GATE VALVE

Watermarked FI X FI with Key Cap

Product Specifications



Specifications

Working temperature 1°C to 95°C

Maximum pressure rating 2500 KPa

Sizing Chart (MM)

	L	H1	H2	W	TH1	TH2
UGV40	88	144	175	57	Rp 1 1/2"	Rp 1 1/2"
UGV50	95	160	196	70	Rp 2"	Rp 2"

Features

Watermark approved

Full Bore

100% pressure tested

Available in sizes 40mm (1 1/2") to 50mm (2")

Key Cap Drive

Tested and certified to AS 1628

Material Chart

Part	Material
Body	DR Brass
Cover	DR Brass
Gate	DR Brass
Stem	DR Brass
Lock Nut	DR Brass
Packing Gland	PTFE
Gasket	PTFE
Hex Cap	Stainless Steel
Indication Cap	Stainless Steel
Nut	DR Brass
Handle	DR Brass

For more information on Logi Valve, contact:
 Austworld 15 Activity Crescent, Molendinar, Queensland 4214 Australia
 P. 1300 780 430 F. 1300 780 441 E. info@austworld.com.au

Austworld Pty Ltd. All rights reserved 2018. Austworld and Logi Valve are registered trade mark belonging to Austworld Pty Ltd.

