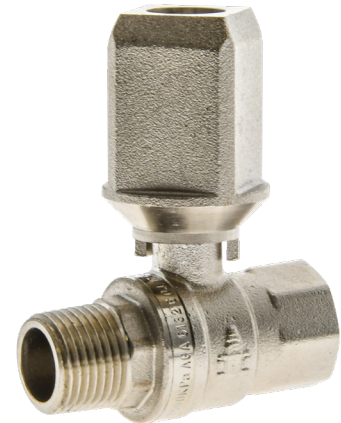
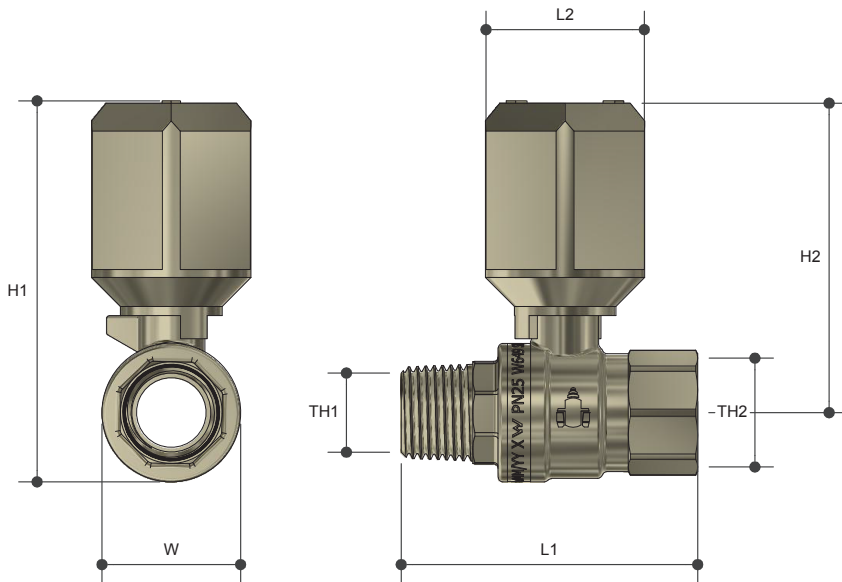


GAS APPROVED BALL VALVE

Underground MI X FI

Product Specifications



Specifications

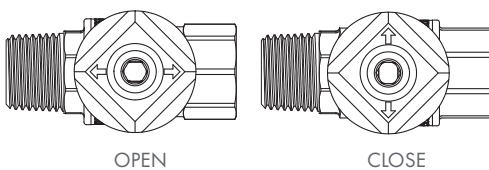
Working temperature -20°C to 120°C

Maximum pressure rating 2100kPa

Sizing Chart (MM)

	L1	L2	H1	H2	W	TH1	TH2
UGBV15M	64	34	83	67	30	R 1/2"	Rp 1/2"
UGBV20M	70	34	89	71	37	R 3/4"	Rp 3/4"
UGBV25M	87	34	96	75	46	R 1"	Rp 1"
UGBV32M	100	34	110	82	58	R 1 1/4"	Rp 1 1/4"
UGBV40M	113	34	122	87	69	R 1 1/2"	Rp 1 1/2"
UGBV50M	130	34	138	96	84	R 2"	Rp 2"

Arrow Orientation



Features

AGA approved

Full Bore

100% pressure tested

Available in sizes 15mm (1/2") to 50mm (2")

Blow proof spindle

Suitable for underground installations

DR brass handle

Tested and certified to AS4617 (for Gas)

Material Chart

Part	Material
Body	DR Brass
Seal	PTFE
Ball (15-40mm)	DR Brass
Ball (50MM)	Stainless Steel
Spindle (15-40MM)	DR Brass
Spindle (50MM)	Stainless Steel
Bonnet	DR Brass
O Ring	HNBR
Handle	DR Brass
Lock Nut	DR Brass

For more information on Logi Valve, contact:

Austworld 15 Activity Crescent, Molendinar, Queensland 4214 Australia

P. 1300 780 430

F. 1300 780 441

E. info@austworld.com.au

Austworld Pty Ltd. All rights reserved 2018. Austworld and Logi Valve are registered trade mark belonging to Austworld Pty Ltd.

Revision no. 1.0 | 24/05/2021

