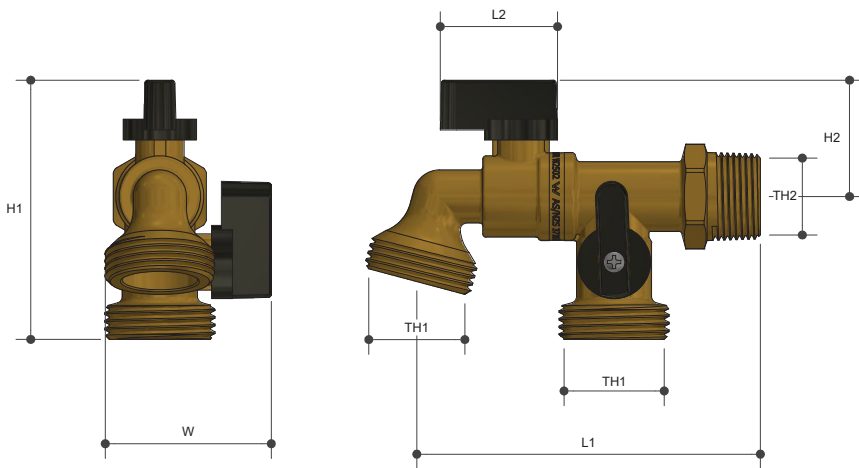


HOSE TAPS

Dual Outlet Quarter Turn MI

Product Specifications



Specifications

Working temperature 1 °C to 60 °C

Max. pressure rating 1600kPa

Sizing Chart (MM)

	L1	L2	H1	H2	W	TH1	TH2
TH107	110	35	78	34	50	G 1"	R 3/4"

Features

Watermark approved

100% pressure tested

Blow proof spindle

Integral check valve

Tested and certified to AS/NZS 3718

Material Chart

Part	Material
Body	DR Brass
Ball	DR Brass
O Ring	EPDM
Washer	Stainless Steel
Spindle	DR Brass
Handle	Aluminium

For more information on Metforge, contact:

Austworld 15 Activity Crescent, Molendinar, Queensland 4214 Australia

P. 1300 780 430

F. 1300 780 441

E. info@austworld.com.au

Austworld Pty Ltd. All rights reserved 2018. Austworld and Metforge are registered trade mark belonging to Austworld Pty Ltd.

