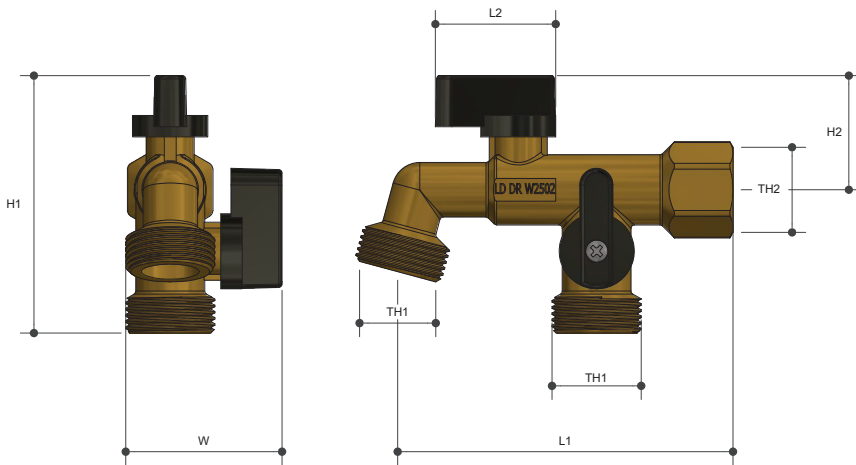


HOSE TAPS

Dual Outlet Quarter Turn Fl

Product Specifications

Metforge®
brassware



Features

- Watermark approved
- 100% pressure tested
- Blow proof spindle
- Integral check valve
- Available in brass and chrome finish
- Tested and certified to AS/NZS 3718

Specifications

Working temperature 1 °C to 60 °C

Max. pressure rating 1600kPa

Sizing Chart (MM)

	L1	L2	H1	H2	W	TH1	TH2
TH78	98	35	76	34	46	G 3/4"	G 1/2"
TH78CP*	98	35	76	34	46	G 3/4"	G 1/2"

* Chrome plated finish

Material Chart

Part	Material
Body	DR Brass
Ball	DR Brass
O Ring	EPDM
Washer	Stainless Steel
Spindle	DR Brass
Handle	Aluminium

For more information on Metforge, contact:
Austworld 15 Activity Crescent, Molendinar, Queensland 4214 Australia
P. 1300 780 430 F. 1300 780 441 E. info@austworld.com.au

Austworld Pty Ltd. All rights reserved 2018. Austworld and Metforge are registered trade mark belonging to Austworld Pty Ltd.

AW
AUSTWORLD