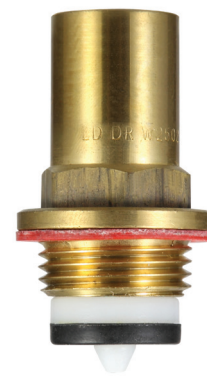
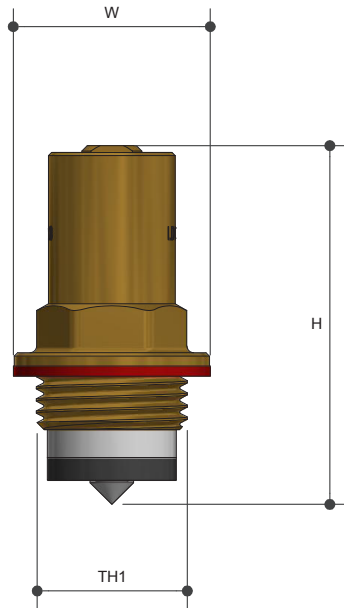


TOP ASSEMBLIES

Vandal Proof Flat

Product Specifications



Specifications

Working temperature 1 °C to 75 °C

Max. pressure rating 1000kPa

Sizing Chart (MM)

	H	W	TH
TH75F	43	29	G 5/8"
TH76F	43	29	G 5/8"
TH81F	43	32	G 3/4"
TH82F	43	32	G 3/4"

Features



Watermark approved

DR Brass

100% pressure tested

Gland packed

Tested and certified to AS/NZS 3718

Material Chart

Part	Material
O Ring	EPDM
Seal	EPDM
Washer	Fibre
Bonnet	DR Brass
Spindle	DR Brass
Jumper	PA

For more information on Metforge, contact:

Austworld 15 Activity Crescent, Molendinar, Queensland 4214 Australia

P. 1300 780 430

F. 1300 780 441

E. info@austworld.com.au

Austworld Pty Ltd. All rights reserved 2018. Austworld and Metforge are registered trade mark belonging to Austworld Pty Ltd.

