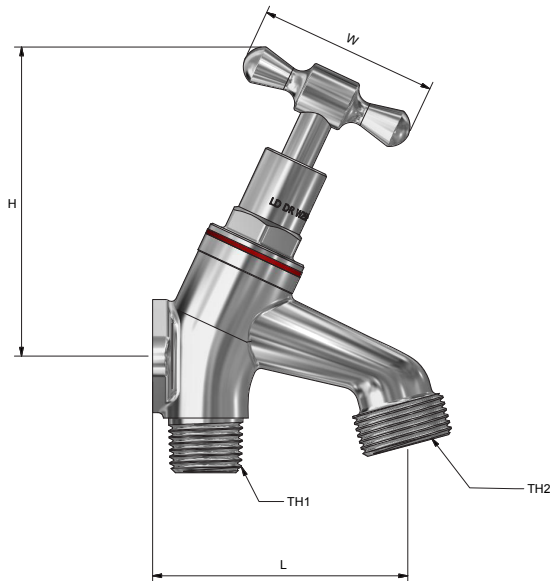


HOSE TAPS

Backplated MI

Product Specifications

Metforge®
brassware



Specifications

Working temperature 0°C to 60°C

Maximum pressure rating 1600kPa

Flow rate 20 L.P.M. @ 350kPa

Features



Watermark approved

Double O-ring spindle

100% pressure tested

Chrome plated finish

Tested and certified to AS/NZS 3718

Sizing Chart [MM]

	L	H	W	TH1	TH2
TH58C	72	87	51	R 1/2"	G 3/4"

Material Chart

Part	Material
Jumper Valve	Nylon
Body	DR Brass
Washer	Fibre
Bonnet	DR Brass
Handle	Brass
O Ring	EPDM
Spindle	DR Brass

For more information on Metforge, contact:

Austworld 15 Activity Crescent, Molendinar, Queensland 4214 Australia

P. 1300 780 430

F. 1300 780 441

E. info@austworld.com.au

Austworld Pty Ltd. All rights reserved 2018. Austworld and Metforge are registered trade mark belonging to Austworld Pty Ltd.

AW
AUSTWORLD