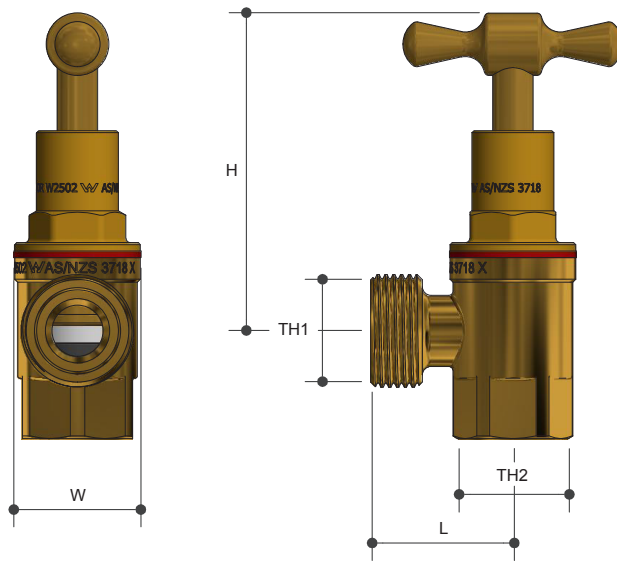


RIGHT ANGLE STOPS

Washing Machine Stop T/Head

Product Specifications

Metforge®
brassware



Specifications

Working temperature 1°C to 75°C

Max. pressure rating 1000kPa

Features

Watermark approved

100% pressure tested

Available in chrome plated and brass finish

Double O-ring spindle

Tested and certified to AS/NZS 3718

Sizing Chart (MM)

	L	H	W	TH1	TH2
TH37*	33	73	30	G 3/4"	G 1/2"
TH46	34	73	30	G 3/4"	G 1/2"

* Chrome Plated

Material Chart

Part	Material
Jumper Valve	Nylon
Body	DR Brass
Washer	Fibre
Bonnet	DR Brass
Handle	Brass
O Ring	NBR
Spindle	DR Brass
Seal	PTFE

For more information on Metforge, contact:

Austworld 15 Activity Crescent, Molendinar, Queensland 4214 Australia

P. 1300 780 430

F. 1300 780 441

E. info@austworld.com.au

Austworld Pty Ltd. All rights reserved 2018. Austworld and Metforge are registered trade mark belonging to Austworld Pty Ltd.

AUSTWORLD