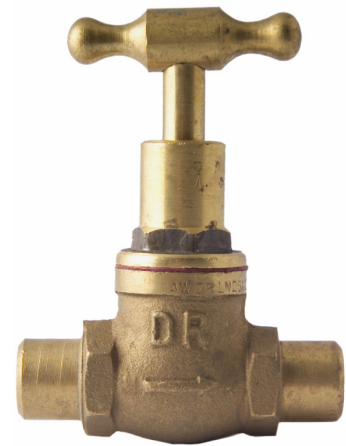
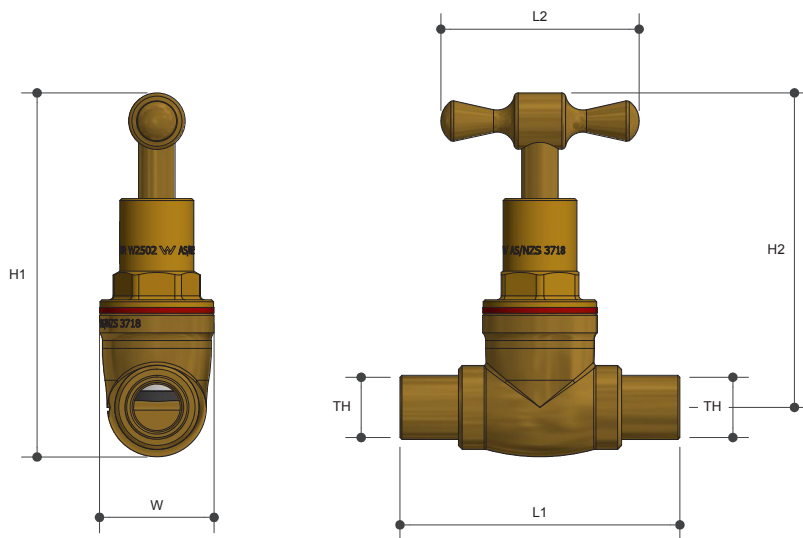


# STOP TAP

Capillary

Product Specifications

Metforge®  
brassware



## Specifications

Working temperature 1 °C to 75 °C

Max. pressure rating 1000kPa

## Features

Watermark approved

DR Brass

100% pressure tested

Gland packed

Tested and certified to AS/NZS 3718

## Sizing Chart (MM)

	L1	L2	H1	H2	W	TH
TH32	72	51	94	81	30	DN15
TH62	67	51	96	82	32	DN20

## Material Chart

Part	Material
Body	DR Brass
Seal	EPDM
Jumper	PA
Spindle	DR Brass
Washer	Fibre
O Ring	EPDM
Bonnet	DR Brass
Handle	Brass

For more information on Metforge, contact:

Austworld 15 Activity Crescent, Molendinar, Queensland 4214 Australia

P. 1300 780 430

F. 1300 780 441

E. info@austworld.com.au

Austworld Pty Ltd. All rights reserved 2018. Austworld and Metforge are registered trade mark belonging to Austworld Pty Ltd.

AUSTWORLD