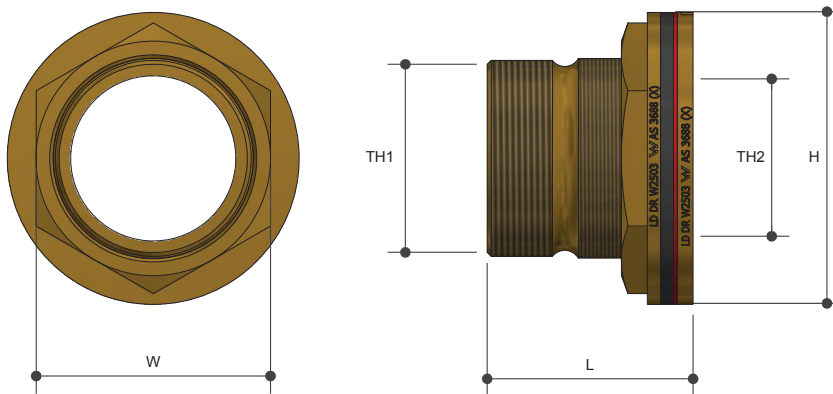


# TANK FITTINGS

Tank Flange Watermarked

Product Specifications



## Specifications

Working temperature 1°C - 95°C

Maximum pressure rating 1600kPa

## Sizing Chart (MM)

	L	H	W	TH1	TH2
TF20	58	47	34	R 3/4"	G 1/2"
TF25	60	58	42	R 1"	G 3/4"
TF32	70	65	50	R 1 1/4"	G 1"
TF40	72	74	56	R 1 1/2"	G 1 1/4"
TF50	75	88	69	R 2"	G 1 1/2"
TF65	78	110	90	R 2 1/2"	G 2"
TF80	88	124	101	R 3"	-
TF100	96	156	130	R 4"	-

\*No internal thread for TF80 and TF100

## Features



Watermark approved

DR Brass

Tested and certified to AS 3688

## Material Chart

Part	Material
Body	DR Brass
Nut	Brass
Washer	EPDM
Washer	Fibre

For more information on Metforge, contact:  
 Austworld 15 Activity Crescent, Molendinar, Queensland 4214 Australia  
 P. 1300 780 430 F. 1300 780 441 E. info@austworld.com.au

Austworld Pty Ltd. All rights reserved 2018. Austworld and Metforge are registered trade mark belonging to Austworld Pty Ltd.

