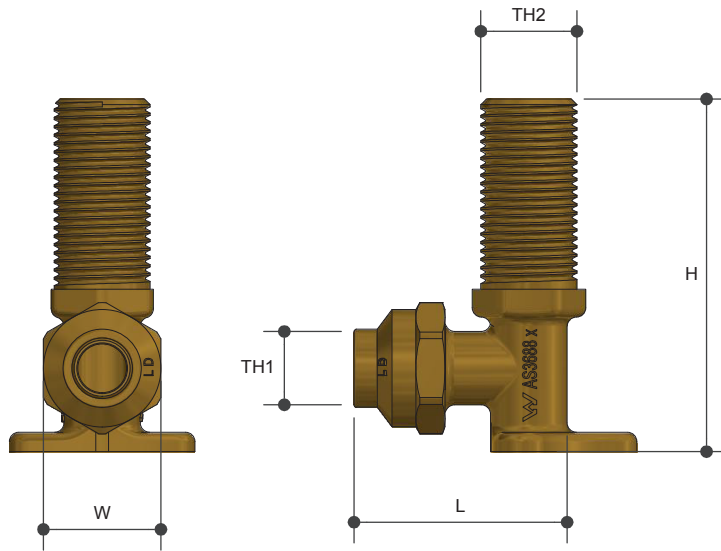


FLARED COMPRESSION

Elbow MI X C Extended Lugged Lead Free

Product Specifications



Specifications

Maximum Working Temperature 1°C to 95°C

Maximum Pressure Rating 1600kPa

Features

Watermark Lead Free Approved

Brass and Chrome Finish

Tested and Certified to AS 3688

Sizing Chart (MM)

	L	H	W	TH1	TH2
AW311LF	46	76	25	15C	G 1/2"
AW311ELF	46	100	25	15C	G 1/2"
AW312LF*	46	76	25	15C	G 1/2"
AW313LF	53	81	32	20C	G 1/2"

* Chrome Plated

Material Chart

Part	Material
Elbow	DR Lead Free Brass
Compression Nut	Brass

For more information on Metforge, contact:
 Austworld 15 Activity Crescent, Molendinar, Queensland 4214 Australia
 P. 1300 780 430 F. 1300 780 441 E. info@austworld.com.au

Austworld Pty Ltd. All rights reserved 2018. Austworld and Metforge are registered trade mark belonging to Austworld Pty Ltd.

