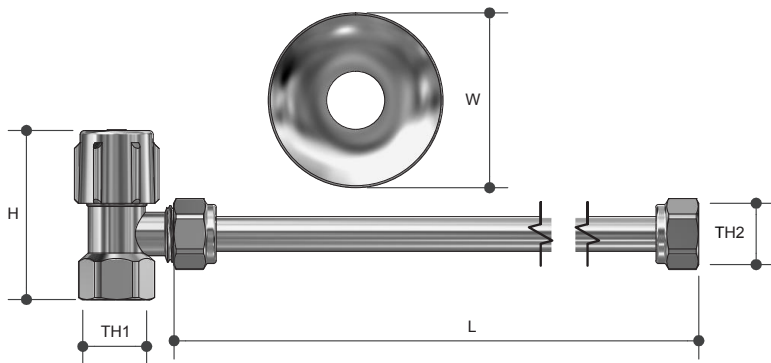


Cistern Kits WITH COPPER TUBE DISPLAY PACK ST01C

Product Specifications



Specifications

Rated working pressure of 1000Kpa

Maximum working temperature 70°C

Sizing Chart MM

	L	H	W	TH1	TH2	SIZE
ST01C	450	62	64	G 1/2"	G 1/2"	450MM

MT MONOPOLY™
T A P W A R E



Features



Watermarked Approved

Resistant to cutting and abrasion

Resistant to rust

Swivel Connection

PEX inner core

304 Stainless Steel Braided

For more information on Monopoly Tapware, contact:
Austworld 15 Activity Crescent, Molendinar, Queensland 4214 Australia

P. 1300 780 430 F. 1300 780 441 E. info@austworld.com.au

Austworld Pty Ltd. All rights reserved 2018. Austworld and Monopoly Tapware are registered trade mark belonging to Austworld Pty Ltd.

AW
AUSTWORLD