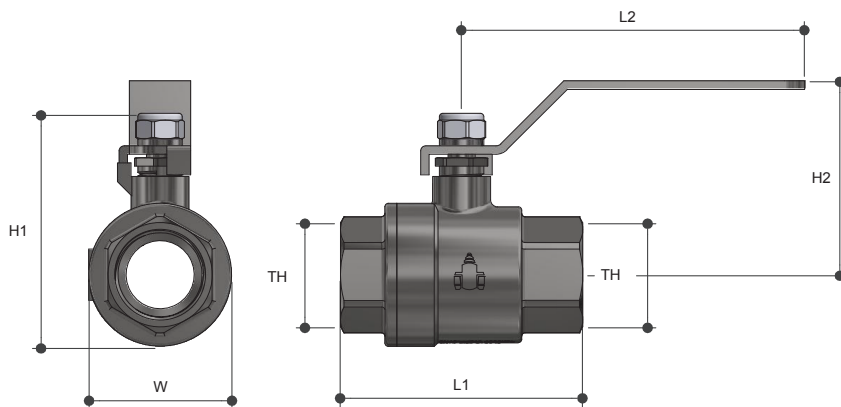


GAS APPROVED BALL VALVE

316 Stainless Steel 2 Piece Lever Handle FI X FI

Product Specifications



Specifications

Working temperature -20°C to 120°C

Maximum pressure rating 4000kPa

Sizing Chart (MM)

	L1	L2	H1	H2	W	TH
SSGBV15	64	101	61	53	34	Rp 1/2"
SSGBV20	71	101	68	57	42	Rp 3/4"
SSGBV25	83	101	79	63	51	Rp 1"
SSGBV32	94	140	109	89	72	Rp 1 1/4"
SSGBV40	104	140	109	89	72	Rp 1 1/2"
SSGBV50	126	140	126	96	90	Rp 2"

Features

AGA approved

Full bore

100% pressure tested

Available in sizes 15mm (1/2") to 50mm (2")

Blow proof spindle

Stainless steel handle, balls, nut

Tested and certified to AS 4617

Material Chart

Part	Material
Body	CF8M
Ball	SS316
Handle	SS316
Seal	PTFE
Bonnet	CF8M
Spindle	SS316

For more information on Logi Valve, contact:
Austworld 15 Activity Crescent, Molendinar, Queensland 4214 Australia

P. 1300 780 430 F. 1300 780 441 E. info@austworld.com.au

Austworld Pty Ltd. All rights reserved 2018. Austworld and Logi Valve are registered trade mark belonging to Austworld Pty Ltd.

Revision no. 1.0 | 24/05/2021

