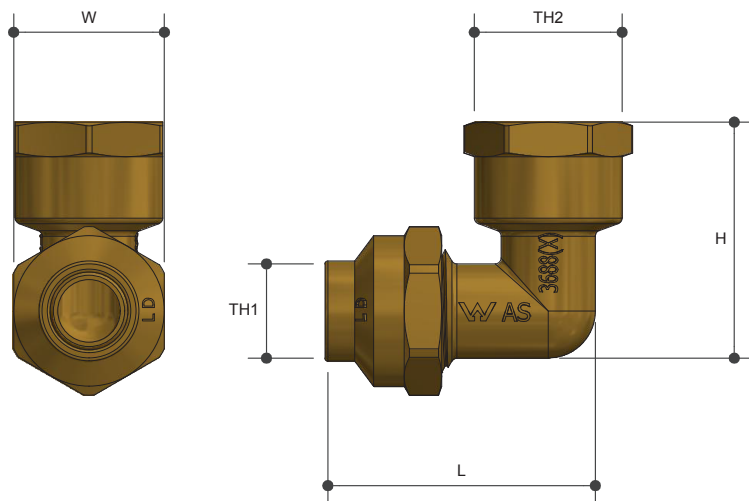


FLARED COMPRESSION

Elbow FI X C Lead Free

Product Specifications



Specifications

Maximum Working Temperature 1 °C to 95 °C

Maximum Pressure Rating 1600kPa

Features

Watermark Lead Free Approved

Brass and Chrome Finish

Tested and Certified to AS 3688

Sizing Chart (MM)

	L	H	W	TH1	TH2
AW220LF	45	40	25	15C	Rp 1/2"
AW221LF*	45	40	25	15C	Rp 1/2"
AW227LF	56	48	32	20C	Rp 3/4"
AW227NBLF	56	48	32	20C	Rp 3/4"
AW232LF	66	64	38	25C	Rp 1"
AW233LF	96	77	47	32C	Rp 1 1/4"
AW230LF	96	87	66	50C	Rp 2"

* Chrome Plated

Material Chart

Part	Material
Elbow	DR Lead Free Brass
Compression Nut	Brass

For more information on Metforge, contact:

Austworld 15 Activity Crescent, Molendinar, Queensland 4214 Australia

P. 1300 780 430

F. 1300 780 441

E. info@austworld.com.au

Austworld Pty Ltd. All rights reserved 2018. Austworld and Metforge are registered trade mark belonging to Austworld Pty Ltd.

