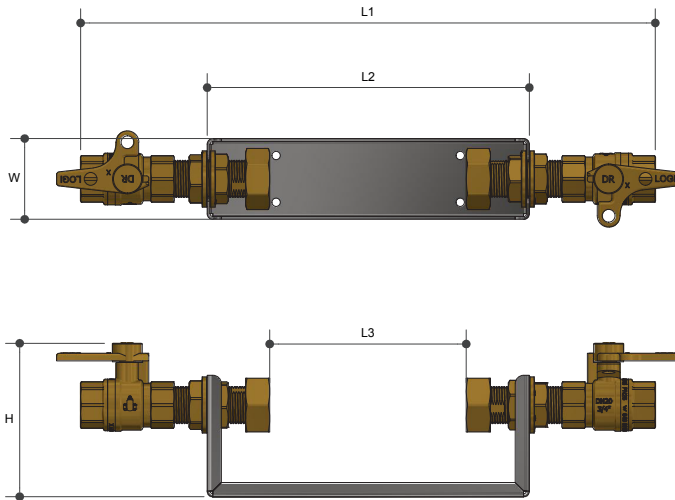


SUB METERING

Sub Metering Kit Fixed

Product Specifications



Specifications

Working temperature 1°C to 90°C

Max. pressure rating 1600kPa

Adjustable length

Meter thread

Sizing Chart (MM)

	SIZE	L1	L2	L3	H	W
SMK05	20MM	386 - 430	227	129 - 153	108	57
SMK06	25MM	445 - 475	257	162 - 192	119	67

Description

Austworld sub metering kits have been developed for ease of installation and the minimisation of installation times. The integrated valve design gives more adjustment for different types of meters and the limited number of joints reducing the chances of leaking.

The SMK has been designed to be used with most brands meters such as RMC, Hyrdus, Elster, Itron and any other meters that fit inside the tolerances of the couplings

Features

Watermark approved

Dual lockable ball valves

SS304 welded plate for strength and longevity

Maximum valve adjustment

100% pressure tested

Valve fully pre-assembled

Locking nut on coupling

Tested and certified to AS 4796

Material Chart

Part	Material
Plate	Stainless Steel
Ball Valves	DR Brass

For more information on Logi Civil, contact:

Austworld 15 Activity Crescent, Molendinar, Queensland 4214 Australia

P. 1300 780 430

F. 1300 780 441

E. info@austworld.com.au

Austworld Pty Ltd. All rights reserved 2018.

Austworld and Logi Civil are registered trade mark belonging to Austworld Pty Ltd.

