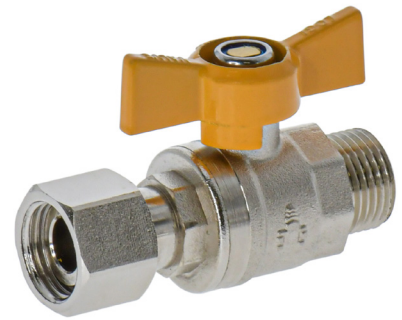
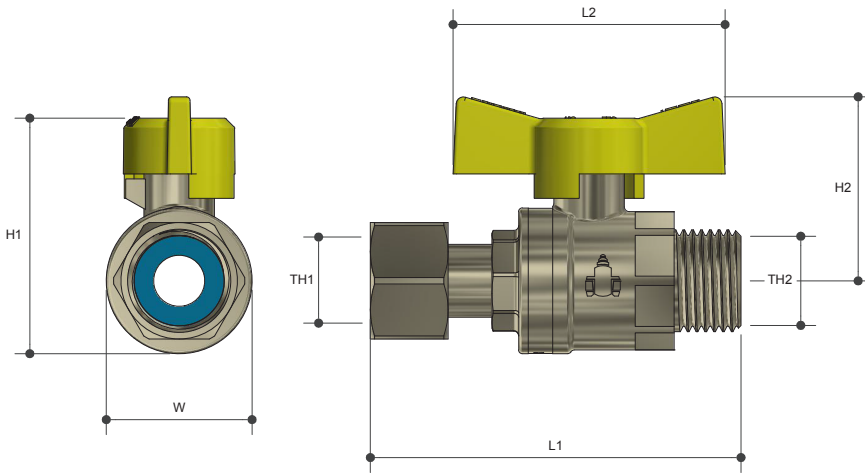


# SWIVEL NUT BALL VALVE

MI Gas

## Product Specifications



### Specifications

Working temperature -20°C to 120°C

Maximum pressure rating 2100kPa

### Sizing Chart (MM)

	L1	L2	H1	H2	W	TH1	TH2
SN15MG	84	56	49	38	30	G 1/2"	G 1/2"
SN20MG	77	56	49	38	30	G 3/4"	G 3/4"

### Features

---



---



---



---



---



---



---

### Material Chart

For more information on Logi Valve, contact:  
 Austworld 15 Activity Crescent, Molendinar, Queensland 4214 Australia  
 P. 1300 780 430 F. 1300 780 441 E. info@austworld.com.au

Austworld Pty Ltd. All rights reserved 2018. Austworld and Logi Valve are registered trade mark belonging to Austworld Pty Ltd.

