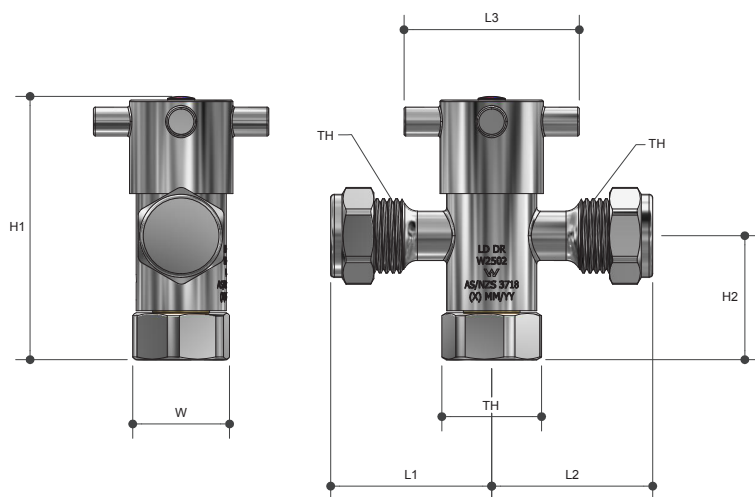


Isolation Stops

DUAL ISOLATION STOP CAPSTAN QUARTER TURN SWIVEL NUT

Product Specifications



MT MONOPOLY™
TAPWARE



Specifications

Maximum working temperature 75 °C

Maximum pressure rating 1000kPa

Sizing Chart (MM)

	L1	L2	L3	H1	H2	W	TH1	TH2
SDFW1515	45	44	49	73	34	27	G 1/2"	G 1/2"
SDFW2015	45	44	49	73	34	27	G 1/2"	G 3/4"

Material Chart

Part	Material
Body	DR Brass
Cartridge	DR Brass
Buttons	PP
Check Valve	POM
Handle	ABS

Features

Watermark approved

Chrome plated finish

Integral non return valve

Fashionable metal handle

No water hammer

Simplicity of operation

Premium quarter turn ceramic disc

Fitquik Swivel Nut for ease of installation

Supplied with red & blue indicator buttons

Australian patent number 2003213322

Tested and certified to AS/NZS 3718



WaterMark



For more information on Monopoly Tapware, contact:
Austworld 15 Activity Crescent, Molendinar, Queensland 4214 Australia

P. 1300 780 430 F. 1300 780 441 E. info@austworld.com.au

Austworld Pty Ltd. All rights reserved 2018. Austworld and Monopoly Tapware are registered trade mark belonging to Austworld Pty Ltd.

