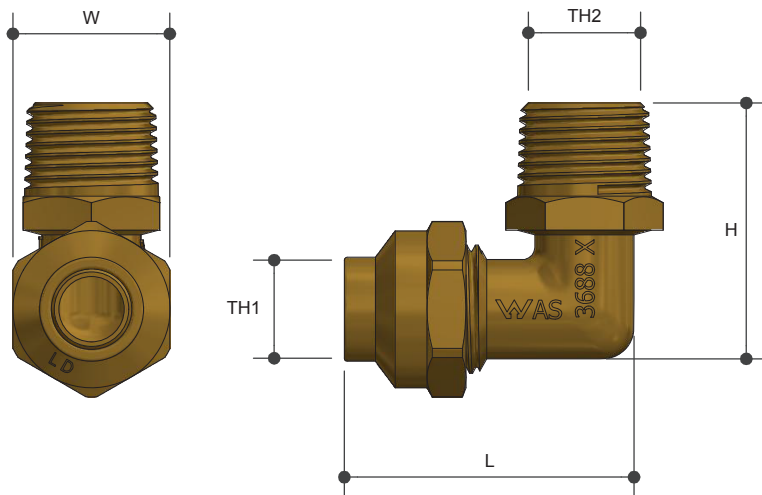


FLARED COMPRESSION

Elbow MI X C Lead Free

Product Specifications



Specifications

Maximum Working Temperature 1°C to 95°C

Maximum Pressure Rating 1600kPa

Features

Watermark Lead Free Approved

Brass and Chrome Finish

Tested and Certified to AS 3688

Sizing Chart (MM)

	L	H	W	TH1	TH2
AW193LF	47	41	25	15C	R 1/2"
AW193NBLF	47	41	25	15C	R 1/2"
AW194LF*	47	41	25	15C	R 1/2"
AW199LF	56	51	32	20C	R 3/4"
AW203LF	76	58	38	25C	R 1"
AW204LF	86	55	47	32C	R 1 1/4"
AW205LF	92	36	55	40C	R 1 1/2"
AW206LF	107	72	66	50C	R 2"

* Chrome Plated

Material Chart

Part	Material
Elbow	DR Lead Free Brass
Compression Nut	Brass

For more information on Metforge, contact:
 Austworld 15 Activity Crescent, Molendinar, Queensland 4214 Australia
 P. 1300 780 430 F. 1300 780 441 E. info@austworld.com.au

Austworld Pty Ltd. All rights reserved 2018. Austworld and Metforge are registered trade mark belonging to Austworld Pty Ltd.

