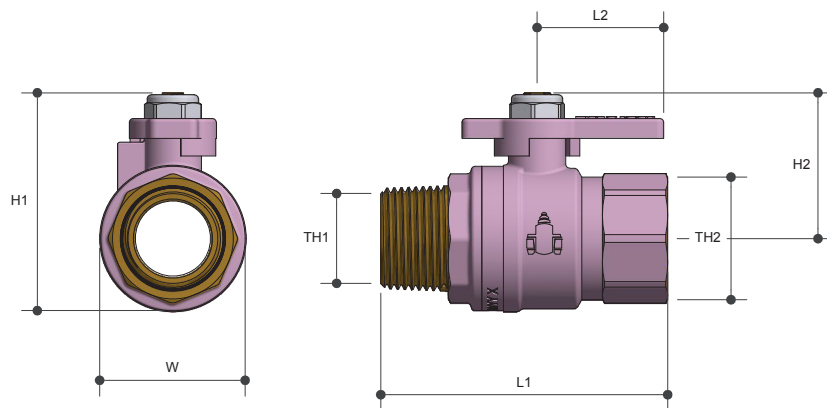


WATER SERVICE BALL VALVES

Inline FI X MI Lilac

Product Specifications



Specifications

Working temperature 1°C to 90°C

Max. pressure rating 2500kPa

Sizing Chart (MM)

	L1	L2	H1	H2	W	TH1	TH2
RWWB20MB	73	32	55	37	37	R 3/4"	Rp 3/4"

Features

Watermark approved

DR Brass

Full Bore

100% pressure tested

Tested and certified to AS 4796

Material Chart

Part	Material
Seal	PTFE
Nut	Stainless Steel
Body	DR Brass
Handle	DR Brass
Ball	Stainless Steel
Cap	DR Brass
O Ring	FKM
Spindle	DR Brass

For more information on Logi Civil, contact:
Austworld 15 Activity Crescent, Molendinar, Queensland 4214 Australia
P. 1300 780 430 F. 1300 780 441 E. info@austworld.com.au

Austworld Pty Ltd. All rights reserved 2018.
Austworld and Logi Civil are registered trade mark belonging to Austworld Pty Ltd.

