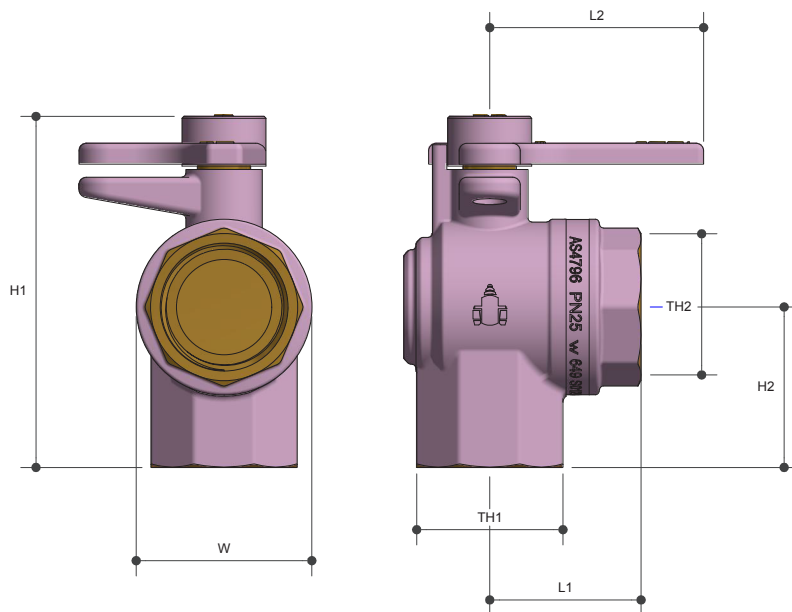


WATER SERVICE BALL VALVES

Right Angle Fl X Fl Lockable Lilac

Product Specifications



Specifications

Working temperature 1°C to 90°C

Max. pressure rating 2500kPa

Sizing Chart (MM)

	L1	L2	H1	H2	W	TH1	TH2
RWRA20F	33	50	82	38	37	Rp 3/4"	Rp 3/4"

Features

Watermark approved

DR Brass

Full Bore

100% pressure tested

Lockable ON and OFF

WSAA Appraised

Tested and certified to AS 4796

Material Chart

Part	Material
Body	DR Brass
Cap	DR Brass
Seal	PTFE
Ball	Stainless Steel
Handle	DR Brass
O Ring	FKM
Retaining Ring	PA

For more information on Logi Civil, contact:
 Austworld 15 Activity Crescent, Molendinar, Queensland 4214 Australia
 P. 1300 780 430 F. 1300 780 441 E. info@austworld.com.au

Austworld Pty Ltd. All rights reserved 2018.
 Austworld and Logi Civil are registered trade mark belonging to Austworld Pty Ltd.

