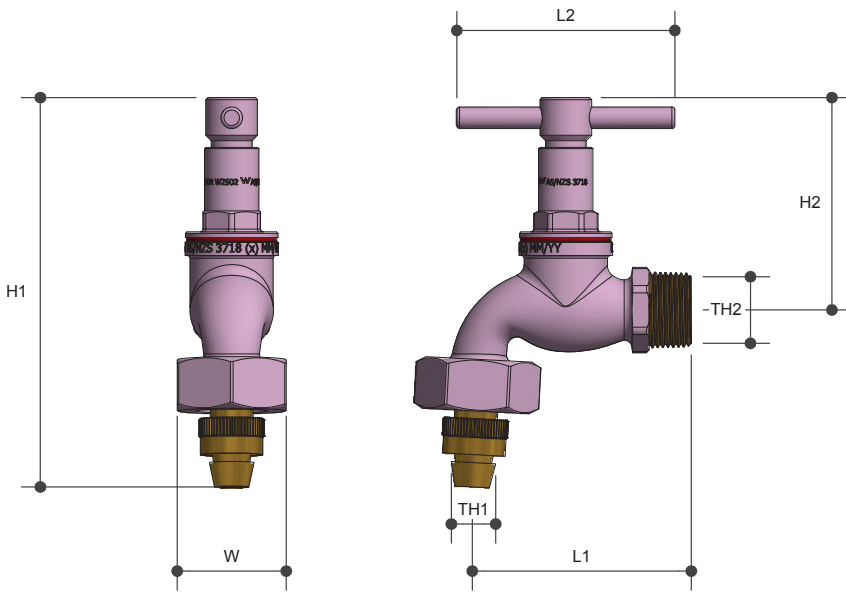


RECYCLED WATER PRODUCTS

Hose Tap Kit 3/4" MI Inlet X 1" MI Outlet LH Thread

Product Specifications

Metforge®
brassware



Specifications

Working temperature 1 °C to 75 °C

Max. pressure rating 1000kPa

Sizing Chart (MM)

RWKN20	L1	L2	H1	H2	W	TH1	TH2
	76	76	136	74	38	DN15	R 3/4"

Features

Watermark approved

100% pressure tested

Double O-ring spindle

Anti vandal

Tested and certified to AS/NZS 3718

Material Chart

Part	Material
Body	DZR Brass
Jumper Valve	Nylon
Washer	Fibre
Bonnet	DR Brass
O Ring	EPDM
Spindle	DR Brass

For more information on Metforge, contact:

Austworld 15 Activity Crescent, Molendinar, Queensland 4214 Australia

P. 1300 780 430

F. 1300 780 441

E. info@austworld.com.au

Austworld Pty Ltd. All rights reserved 2018. Austworld and Metforge are registered trade mark belonging to Austworld Pty Ltd.

AUSTWORLD