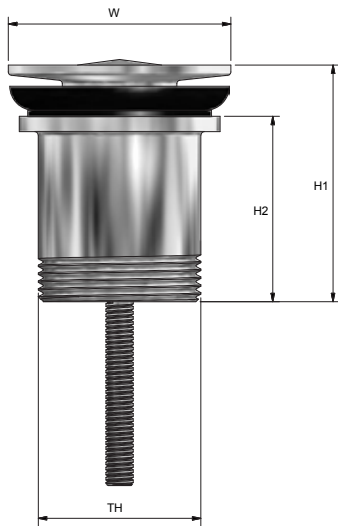


Plug & Waste Pop Up Basin with Adjustable

PWAD32

Product Specifications

MT MONOPOLY™
T A P W A R E



Specifications

32mm outlet

40mm outlet

Sizing Chart [MM]

	H1	H2	W	TH
PWAD32	55	45	63	G 1 1/2" BSP

Features

Watermark approved

Chrome plated finish

Available in overflow and non overflow

Tested and certified to WMTS 040



For more information on Monopoly Tapware, contact:
Austworld 15 Activity Crescent, Molendinar, Queensland 4214 Australia
P. 1300 780 430 F. 1300 780 441 E. info@austworld.com.au

Austworld Pty Ltd. All rights reserved 2018. Austworld and Monopoly Tapware are registered trade mark belonging to Austworld Pty Ltd.

AW
AUSTWORLD