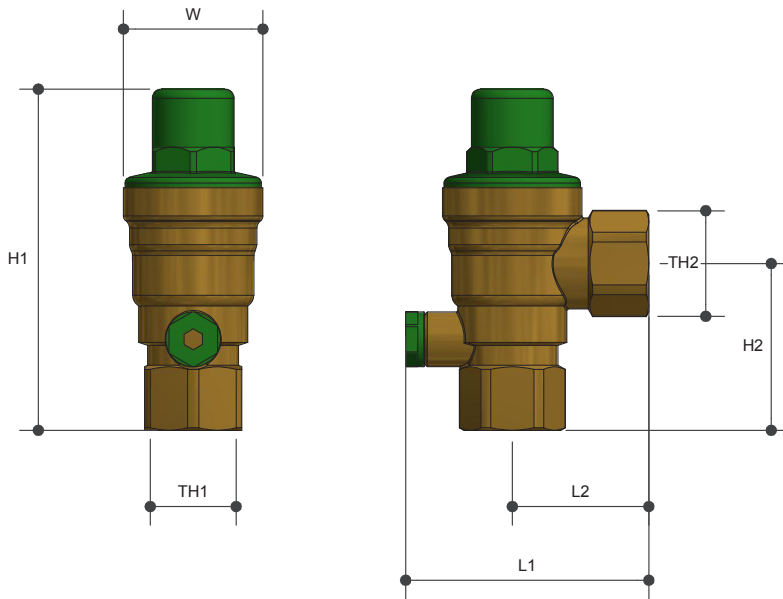


# PRESSURE CONTROL VALVE

Pressure Reduction Right Angle Fl

## Product Specifications



### Features

- Watermark approved
- DR Brass
- Excellent flow rates
- Protects appliances and heating systems
- Suitable for vertical or horizontal installations
- Internal strainer
- Adjustable 150-600kPa
- Factory set at 500kPa
- Outlet for pressure gauge
- UV resistant cap
- Tested and certified to AS 1357.1

### Specifications

- Maximum temperature 60°C
- Outlet pressure range 150 to 600kPa
- Factory set at 500kPa
- Maximum inlet pressure 1600kPa
- Flow rate 100L/min at 700kPa

### Sizing Chart (MM)

	L1	L2	H1	H2	W	TH
RAPR20	80	45	113	54	46	Rp 3/4"

### Material Chart

Part	Material
Cover	PA
Spring	Stainless Steel
Body	DR Brass
Cartridge	POM
Strainer	Stainless Steel

For more information on Logi Valve, contact:  
 Austworld 15 Activity Crescent, Molendinar, Queensland 4214 Australia  
 P. 1300 780 430 F. 1300 780 441 E. info@austworld.com.au

Austworld Pty Ltd. All rights reserved 2018. Austworld and Logi Valve are registered trade mark belonging to Austworld Pty Ltd.

