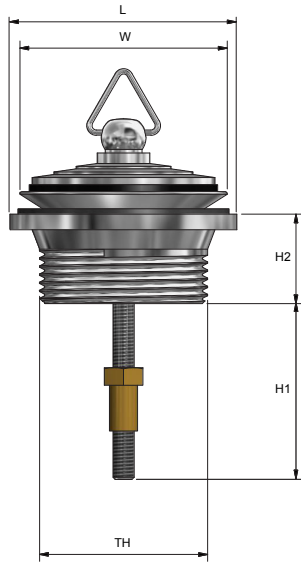


Plug & Waste 2 Part

PWAD Series

Product Specifications

MT MONOPOLY™
T A P W A R E



Specifications

Available in 32mm and 40mm outlet

40mm outlet

Sizing Chart [MM]

	L	H1	H2	W	TH
PW32AD	65	76	26	54	6 1 1/2"
PW40AD	65	73	26	59	6 1 1/2"

Features



Watermark approved

Chrome plated finish

Two part adjustable

Tested and certified to WMTS 040

For more information on Monopoly Tapware, contact:
Austworld 15 Activity Crescent, Molendinar, Queensland 4214 Australia

P. 1300 780 430 F. 1300 780 441 E. info@austworld.com.au

Austworld Pty Ltd. All rights reserved 2018. Austworld and Monopoly Tapware are registered trade mark belonging to Austworld Pty Ltd.

