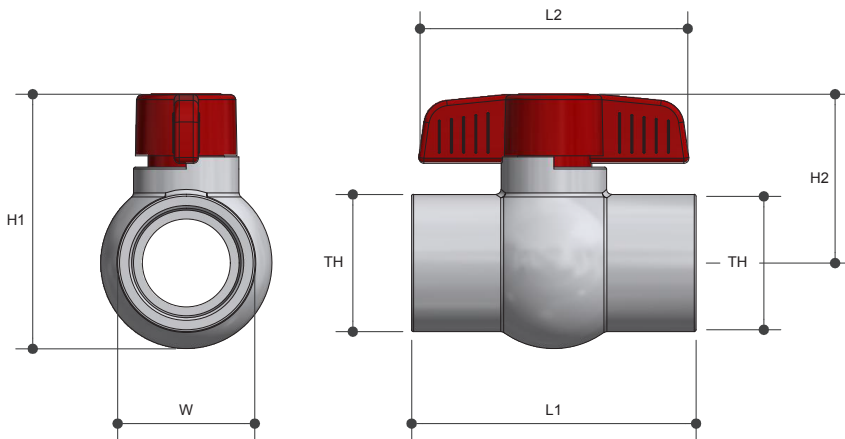


# PVC BALL VALVE

Threaded

Product Specifications



## Specifications

Working temperature 1°C to 45°C

Maximum pressure rating 1000kPa

## Sizing Chart (MM)

	L1	L2	H1	H2	W	TH
PVCBV15	80	69	64	44	32	BSPT 1/2"
PVCBV20	94	81	76	52	39	BSPT 3/4"
PVCBV25	106	100	94	65	45	BSPT 1"
PVCBV32	112	108	103	70	54	BSPT 1 1/4"
PVCBV40	129	108	113	75	63	BSPT 1 1/2"
PVCBV50	148	138	126	81	76	BSPT2"
PVCBV65	178	193	166	109	93	BSPT 1 1/4"
PVCBV80	209	193	181	116	107	BSPT 1 1/2"
PVCBV100	294	262	237	152	135	BSPT 2"

## Features

Positive drip-tight shutoff.

Rapid 1/4-turn on/off control manually operated

Durable PVC body and rugged ABS handle

Compatible with PVC piping

Threaded female connections

Available in sizes 15mm (1/2") to 100mm (4")

## Material Chart

Part	Material
Body	PVC
Seal	PTFE
Ball	PVC
O Ring	EPDM
Handle	ABS
Cap	ABS

For more information on Logi Valve, contact:  
 Austworld 15 Activity Crescent, Molendinar, Queensland 4214 Australia  
 P. 1300 780 430 F. 1300 780 441 E. info@austworld.com.au

Austworld Pty Ltd. All rights reserved 2018. Austworld and Logi Valve are registered trade mark belonging to Austworld Pty Ltd.

